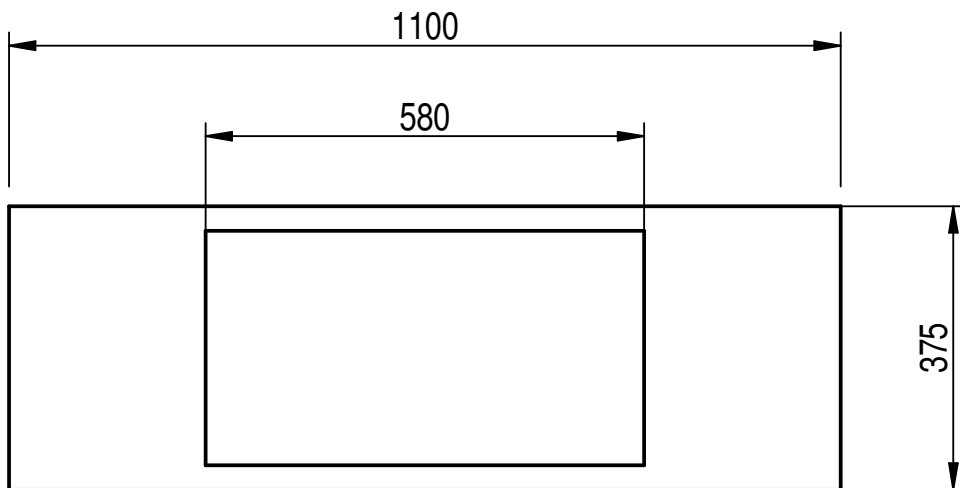
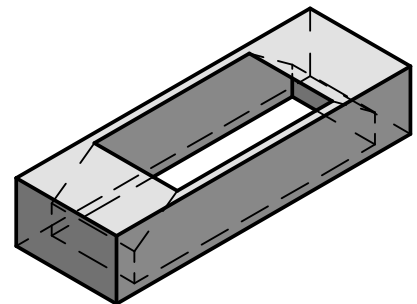


BOTTOM VIEW



PLAN VIEW



ISOMETRIC VIEW
1:20

NOTE:
CAN BE USED WITH 225mm THROAT LINTEL AF225/800



THIS DRAWING IS THE PROPERTY OF WT KNOWLES & SONS LTD
AND MUST NOT BE USED IN ANY WAY PREJUDICIAL TO THEIR INTERESTS

TITLE :-
GATHER UNIT 1100 x 375

WEIGHT = 51 Kg

DRAWN: GB 25-11-10

SCALE

PROJECTION

DRAWING No. :-

DO NOT SCALE

ISSUE: 2 12-11-18

1:10



200GU1100

A4