



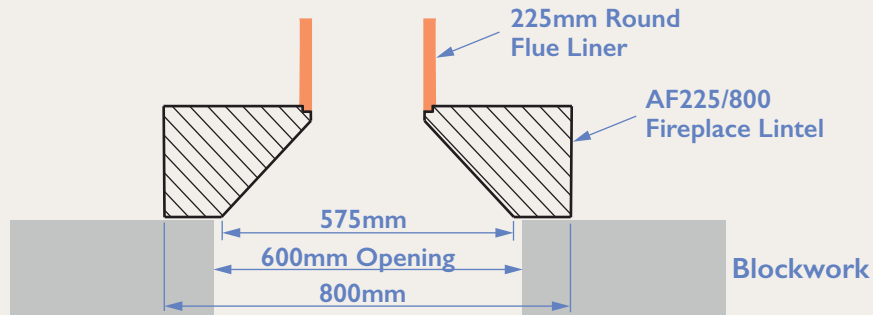
Established 1906

WT KNOWLES & SONS LIMITED

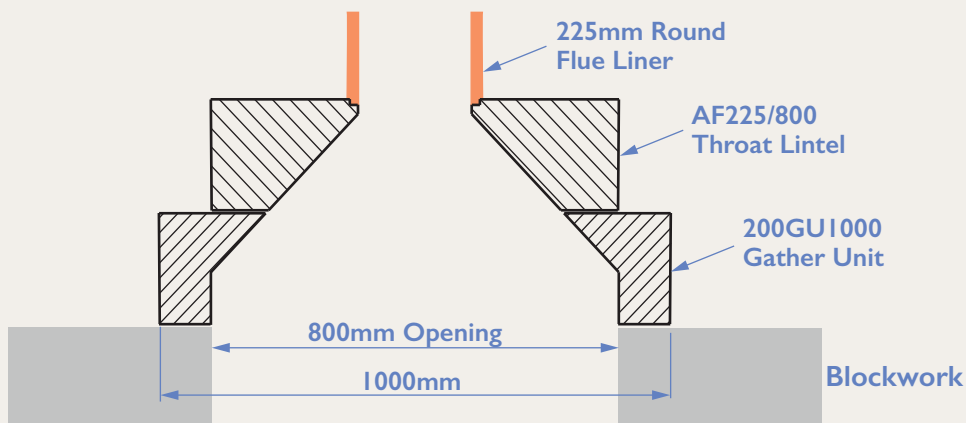


## Installation - 225 Concrete Lintels

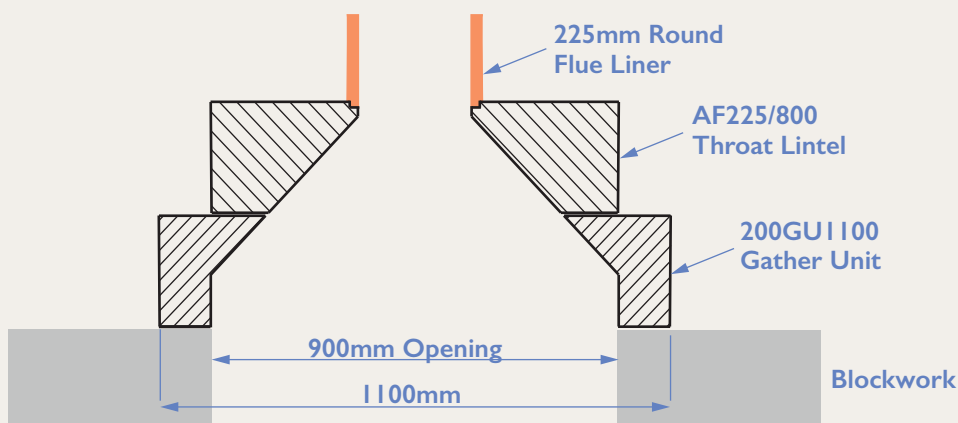
### Typical 600mm Opening Throat Lintel Installation



### Typical 800mm Opening Throat Lintel Installation



### Typical 900mm Opening Throat Lintel Installation



Further information on Lintels and Gather Units is available at [www.wtknowles.co.uk](http://www.wtknowles.co.uk)  
Full Conditions of Sale are shown in the main WT Knowles and Sons Limited price list

05-12-2018

WT Knowles and Sons Limited  
Ash Grove Pipeworks  
Elland  
West Yorkshire  
HX5 9JA

Tel: 01422 372833  
Fax: 01422 370900  
Email: [sales@wtknowles.co.uk](mailto:sales@wtknowles.co.uk)  
Website: [www.wtknowles.co.uk](http://www.wtknowles.co.uk)

© WT Knowles and Sons Ltd 2018