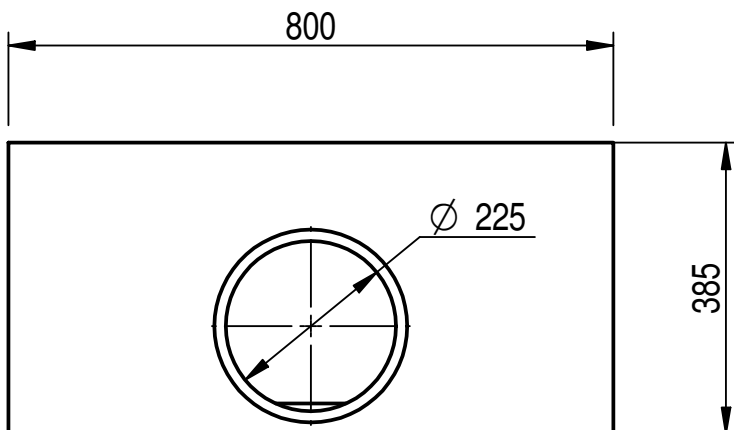
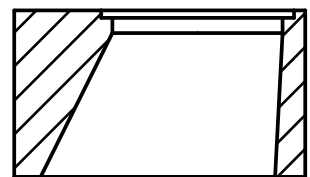
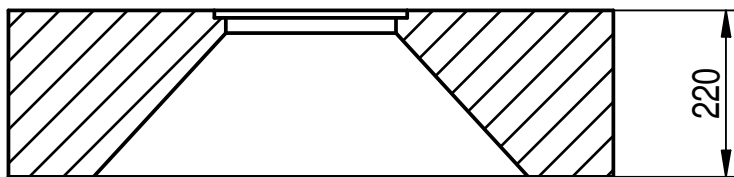


BOTTOM VIEW

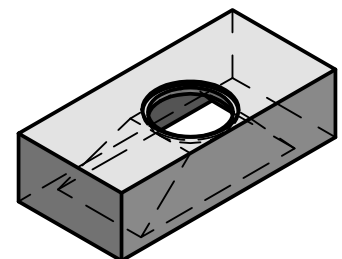


PLAN VIEW

TO SUIT ROUND FLUE LINER WITH 225mm INTERNAL DIAMETER

NOTE:
CAN BE USED WITH EITHER:

1000mm GATHER UNIT 200GU1000
1100mm GATHER UNIT 200GU1100



ISOMETRIC VIEW
1:20



THIS DRAWING IS THE PROPERTY OF WT KNOWLES & SONS LTD
AND MUST NOT BE USED IN ANY WAY PREJUDICIAL TO THEIR INTERESTS

TITLE :-
THROAT LINTEL
FOR 225mm ROUND FLUE LINER

WEIGHT = 89 Kg

DRAWN: GB 25-11-10

SCALE

PROJECTION

DRAWING No. :-

DO NOT SCALE

ISSUE: 2 12-11-18

1:10



AF225/800

A4