



Established 1906

WT KNOWLES & SONS LIMITED



## Terracotta Airbricks



### Airbrick Details

#### Style - Square Hole

Code	Size	Colour
YA13B	215 x 65 x 50	Buff
YA13R	215 x 65 x 50	Red
YA13X	215 x 65 x 50	Blue/Black
YA14B	215 x 140 x 50	Buff
YA14R	215 x 140 x 50	Red
YA14X	215 x 140 x 50	Blue/Black
YA15B	215 x 215 x 50	Buff
YA15R	215 x 215 x 50	Red
YA15X	215 x 215 x 50	Blue/Black

#### Style - Louvre Hole

Code	Size	Colour
YA16B	215 x 65 x 50	Buff
YA16R	215 x 65 x 50	Red
YA16X	215 x 65 x 50	Blue/Black
YA17B	215 x 140 x 50	Buff
YA17R	215 x 140 x 50	Red
YA17X	215 x 140 x 50	Blue/Black
YA18B	215 x 215 x 50	Buff
YA18R	215 x 215 x 50	Red
YA18X	215 x 215 x 50	Blue/Black

Airbricks comply with BS 493:1995+A1:2010 – *Specification for Airbricks and Gratings for wall ventilation*

Building Regulations Approved Document - Part J: 2010 Edition – *Combustion appliances and fuel storage systems* stipulates an essential requirement to ensure there is an adequate airflow for the satisfactory operation of heating appliances (solid fuel, oil or gas fired).

It is not sufficient to rely on air leakage around doors and windows. An appropriately located and correctly sized airbrick will provide an adequate source of permanent ventilation for open flued heating systems.

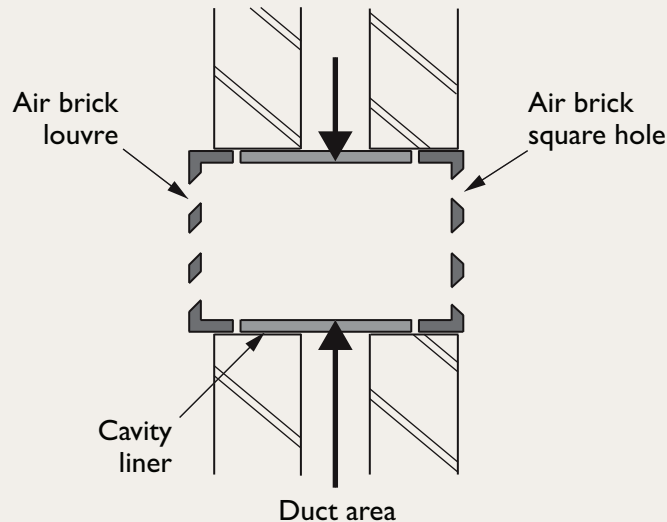


Established 1906

WT KNOWLES & SONS LIMITED



## Terracotta Airbricks



- Available with square or louvre slots.
- Available in red, buff and blue/black colours.
- Colour resistant to fading.
- Resistant to frost and freeze/thaw cycle.

Cavity liners are used in conjunction with airbricks to bridge the cavity between walls.

### Applications

- Suitable for new build or refurbishment projects.
- Can be used internally and externally in housing or commercial construction.
- Suspended ground floor and cold roof voids require permanent ventilation to prevent the build up of condensation.
- Gable ended roofs can benefit from permanent through ventilation by fitting an airbrick (and cavity liner where appropriate) in each gable.

Full conditions of sale are shown in the main WT Knowles & Sons Limited price list.

10-08-18

WT Knowles and Sons Limited  
Ash Grove Pipeworks  
Elland  
West Yorkshire  
HX5 9JA

Tel: 01422 372833  
Fax: 01422 370900  
Email: [sales@wtknowles.co.uk](mailto:sales@wtknowles.co.uk)  
Website: [www.wtknowles.co.uk](http://www.wtknowles.co.uk)

© WT Knowles and Sons Ltd 2018