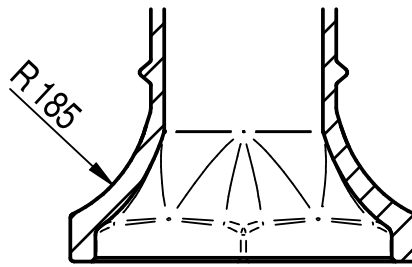
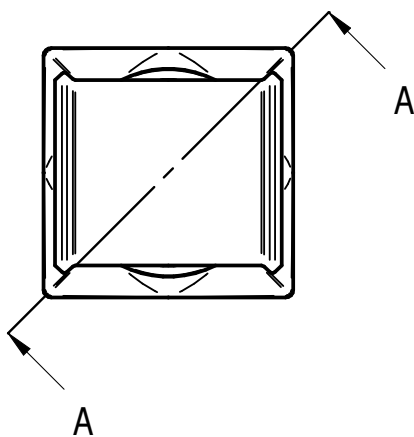


MARKINGS APPLIED AT "X"

WTK DATE (DDMMYY)
EN13502-TYPE 1
330
280
620 HT



SECTION A-A



ISOMETRIC VIEW

RESTRICTED FLUE TERMINAL TO BS EN 13502 - TYPE 1

AVAILABLE 750mm HIGH - CODE NUMBER K1041H2

TO SPECIFY COLOUR, ADD SUFFIX TO CODE  
R = RED, B = BUFF, X = BLACK, G = GLAZED



THIS DRAWING IS THE PROPERTY OF WT KNOWLES & SONS LTD  
AND MUST NOT BE USED IN ANY WAY PREJUDICIAL TO THEIR INTERESTS

± 10% TOLERANCE TO BE APPLIED ON ALL DIMENSIONS

WEIGHT = 29.20 Kg

DRAWN: GB 15-11-07

SCALE

PROJECTION

DO NOT SCALE

ISSUE: 4 11-04-16

1:5



TITLE :-

SCULLERY HOOD POT

DRAWING No. :-

K1041H

A4