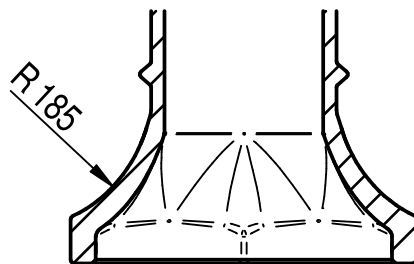
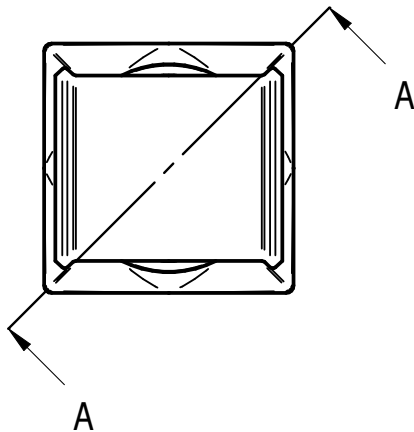


MARKINGS APPLIED AT "X"

WTK DATE (DDMMYY)  
 EN13502-TYPE 1 CE  
 330  
 280  
 750 HT



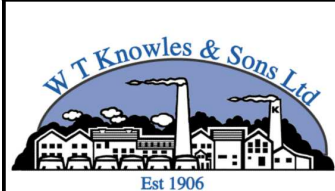
SECTION A-A



ISOMETRIC VIEW

RESTRICTED FLUE TERMINAL TO BS EN 13502 - TYPE 1

TO SPECIFY COLOUR, ADD SUFFIX TO CODE  
 R = RED, B = BUFF, X = BLACK, G = GLAZED



THIS DRAWING IS THE PROPERTY OF WT KNOWLES & SONS LTD  
 AND MUST NOT BE USED IN ANY WAY PREJUDICIAL TO THEIR INTERESTS

± 10% TOLERANCE TO BE APPLIED ON ALL DIMENSIONS

WEIGHT = 30.00 Kg	DRAWN: GB 15-11-07	SCALE	PROJECTION
DO NOT SCALE	ISSUE: 5 11-04-16	1:5	

TITLE :-  
 SCULLERY HOOD POT

DRAWING No. :- K1041H2 A4