



WT KNOWLES & SONS LIMITED

# NATIONAL GRID SEMI-BURIED GAS METER BOX

## Model KG60046

### National Grid Semi-Buried Gas Meter Box

The Model KG60046 from WT Knowles is an unobtrusive brown meter box designed to be partially buried in the ground. This model was commissioned by National Grid Gas to house the Itron (formerly Actaris) TVI plastic cased meter. Also known as the 'wet' box, the KG60046 is specified for use with the Elster 'smart' domestic meter when fitted using a bracket.

This meter box is fully approved to National Grid Gas specification and complies with BS8499:2009 - Specification for domestic gas meter boxes and meter bracket



### Specification

- Manufactured in brown colour glass reinforced plastic (GRP)
- Complies with BS 8499:2009 – *Specification for domestic gas meter boxes and meter bracket*
- Fire retardant to BS 476-7:1997 Class 2 – *Fire tests on building materials and structures. Method of test to determine the classification of the surface spread of flame of products.*
- Overall size: 478 wide x 410 high x 315 deep  
470 total height from ground fill line with lid open

### Features

- Weather and sunlight resistant
- Degradation resistant
- Suitable for: Itron (formerly Actaris) TVI plastic case meter  
Elster 'smart' domestic meter (when fitted using a bracket)
- Complete with:
  - Meter box key
  - Fixing components and hinge kit in plastic bag
  - Installation instructions affixed to the interior of the meter box

WT Knowles and Sons Limited  
Ash Grove Pipeworks  
Elland  
West Yorkshire  
HX5 9JA

Tel: 01422 372833  
Fax: 01422 370900  
Email: [sales@wtknowles.co.uk](mailto:sales@wtknowles.co.uk)  
Website: [www.wtknowles.co.uk](http://www.wtknowles.co.uk)

© WT Knowles and Sons Ltd 2017

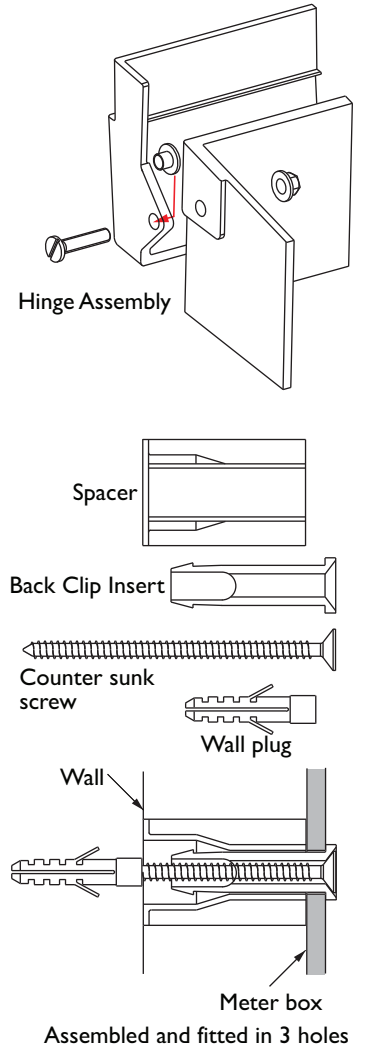
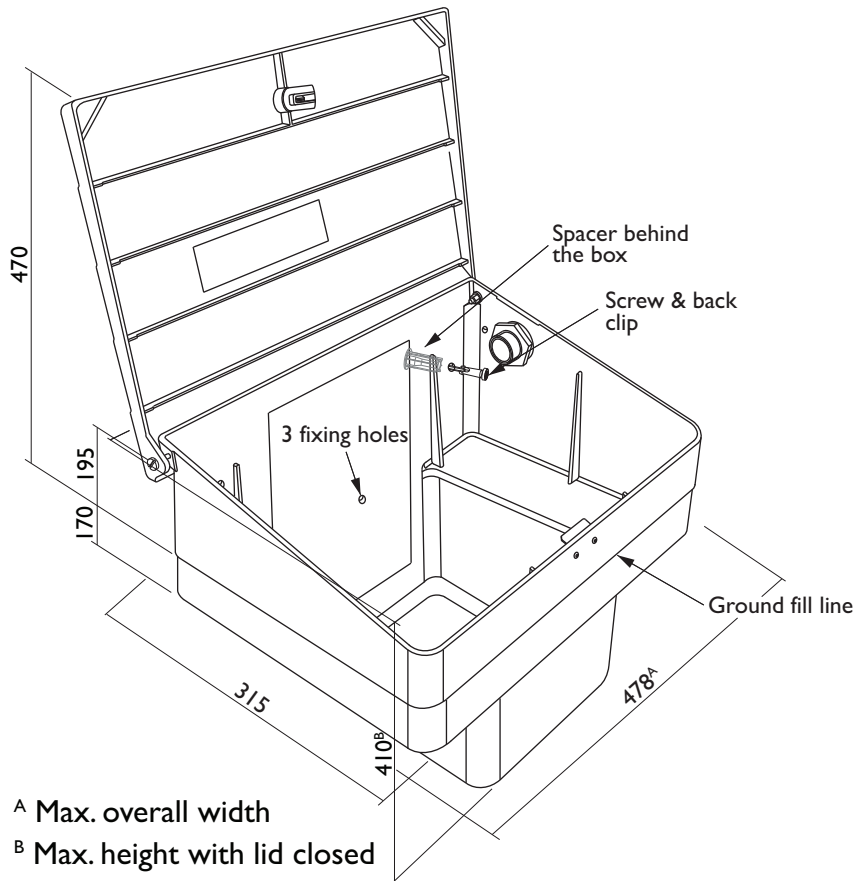


WT KNOWLES & SONS LIMITED

# NATIONAL GRID SEMI-BURIED GAS METER BOX

## Model KG60046

### Dimensions



WT Knowles and Sons Limited  
Ash Grove Pipeworks  
Elland  
West Yorkshire  
HX5 9JA

Tel: 01422 372833  
Fax: 01422 370900  
Email: [sales@wtknowles.co.uk](mailto:sales@wtknowles.co.uk)  
Website: [www.wtknowles.co.uk](http://www.wtknowles.co.uk)

© WT Knowles and Sons Ltd 2017



WT KNOWLES & SONS LIMITED

# NATIONAL GRID SEMI-BURIED GAS METER BOX

## Model KG60046

### Replacements - (Spares)

- Spare brown lid – Code: KG60033
- Meter box key (yellow) – Code: K203001
- Latch kit – Code: KT0008
- Hinge kit - Code KT0009

### Installation

The gas service entry is below ground at the bottom left of the meter box where an integral entry boss is provided (when viewed from the front). The outlet position is at the top right hand side of the meter box. If a rear or left-hand exit is required a new hole must be drilled in the meter box casing with a diameter to suit the gas pipe.

Please follow the instructions provided in the gas meter box. A re-formatted instruction sheet is available to download from our website.

All work must be carried out in accordance with: The Gas Safety (Installation and Use) Regulations.

After the installation has been completed, pipework and joints must be tested in accordance with:

BS 6891:2015 – *Specification for the installation and maintenance of low pressure gas installation pipework of up to 35 mm (R1 ¼) on premises.*

### Electrical Cross Bonding

Main equipotential bonding shall be made in accordance with:

BS 7671:2008+A3:2015 - *Requirements for electrical installations. IET Wiring Regulations.*

21-06-2017

WT Knowles and Sons Limited  
Ash Grove Pipeworks  
Elland  
West Yorkshire  
HX5 9JA

Tel: 01422 372833  
Fax: 01422 370900  
Email: [sales@wtknowles.co.uk](mailto:sales@wtknowles.co.uk)  
Website: [www.wtknowles.co.uk](http://www.wtknowles.co.uk)

© WT Knowles and Sons Ltd 2017



WT KNOWLES & SONS LIMITED

# NATIONAL GRID SEMI-BURIED GAS METER BOX

## Model KG60046

**NOTE: This information is contained on a yellow label on the inside of the box.**

It is a legal requirement that only competent people shall carry out any work in relation to gas fitting. Employers have a responsibility to ensure that all employees undertaking work on any gas fitting are competent.

### Installing the Box

Ensure that the meter box is not damaged.

The box should be positioned so as not to cause an obstruction or be exposed to damage from vehicles, etc. It should be located as close as practicable to the point where the dwelling pipework is required to enter the dwelling.

Excavate a trench for the meter box against the exterior property wall in the position previously agreed.

Position the box so that the indicated line (ground fill line) is at ground level. Unless previously determined, ground level is assumed to be two bricks below the damp-proof course. If in doubt, ask the site agent. Where possible, the box should not bridge the damp-proof course.

Using the box as the template, mark the three fixing holes on the wall, ensuring that the box is level. Fit the three spacers as indicated (between the wall and the box). Secure the box to the wall using the three screws, back clips and plugs provided with the box.

Back fill the trench.

Refer to the hinge assembly sketch. Fit the lid using the fasteners provided and lock the box.

### Customer

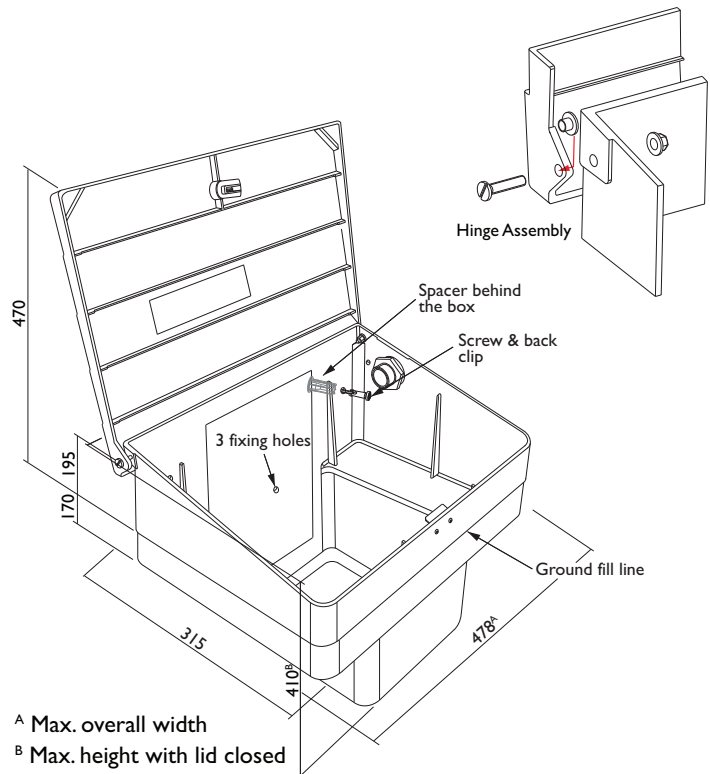
When you require a meter to be installed, please telephone your gas supplier.

**PLEASE TRY TO GIVE AT LEAST 7 DAYS NOTICE.**

### Installation Pipework

All work must be carried out in accordance with the Gas Safety (Installation and Use) Regulations.

The installation pipe shall be connected to the outlet adaptor fixed to the righthand side of the box. The outlet adaptor connection is R<sup>3</sup>/<sub>4</sub>. Care must be taken when using a blowlamp close to the box.



The installation pipe should enter the property as close as practicable to the outlet of the meter box, keeping to a minimum the pipework external to the dwelling. If necessary, the installation pipework (up to 22mm outside diameter) may be run behind the box in the space provided below hinge level.

The pipe entering the property must pass through the wall using a sleeve (sealed to the wall and pipe) in accordance with BS 6891:2015.

The completed installation pipework must be tested for gas tightness in accordance with BS 6981:2015.

Pipework external to the box and property must, wherever necessary, be suitably protected against corrosion.

WT Knowles and Sons Limited  
Ash Grove Pipeworks  
Elland  
West Yorkshire  
HX5 9JA

Tel: 01422 372833  
Fax: 01422 370900  
Email: sales@wtknowles.co.uk  
Website: www.wtknowles.co.uk

© WT Knowles and Sons Ltd 2017



WT KNOWLES & SONS LIMITED

# NATIONAL GRID SEMI-BURIED GAS METER BOX

## Model KG60046

### Installation Pipework Continued

Where the meter box is installed remote from the dwelling it serves, an emergency control valve shall be installed at a point where the installation pipework enters the dwelling in accordance with the Gas Safety (Installation and Use) Regulations.

**UNLESS INSTRUCTIONS ARE COMPLIED WITH,  
THE GAS METER MAY NOT BE INSTALLED.**

**GAS MUST NOT BE MADE AVAILABLE TO  
APPLIANCES UNLESS THEY HAVE BEEN FULLY  
COMMISSIONED.**

### Electrical Cross Bonding

Main equipotential bonding shall be made in accordance with BS 7671:2008 + A3:2015 - *Requirements for Electrical Installations. IET Wiring Regulations.*

#### **IF YOU THINK YOU SMELL GAS**

Turn off the supply at the control valve. Open doors and windows.  
Do NOT use naked flames.

Do NOT turn electrical switches on or off. Do not smoke.

IMMEDIATELY CONTACT THE GAS EMERGENCY SERVICE THE  
TELEPHONE NUMBER IS

**0800 111 999**

Do NOT reopen the supply until remedial action has been taken by a  
competent person to prevent gas escaping again.

21-06-2017

W T Knowles and Sons Limited  
Ash Grove Pipeworks  
Elland  
West Yorkshire  
HX5 9JA

Tel: 01422 372833  
Fax: 01422 370900  
Email: [sales@wtknowles.co.uk](mailto:sales@wtknowles.co.uk)  
Website: [www.wtknowles.co.uk](http://www.wtknowles.co.uk)

© W T Knowles and Sons Ltd 2017