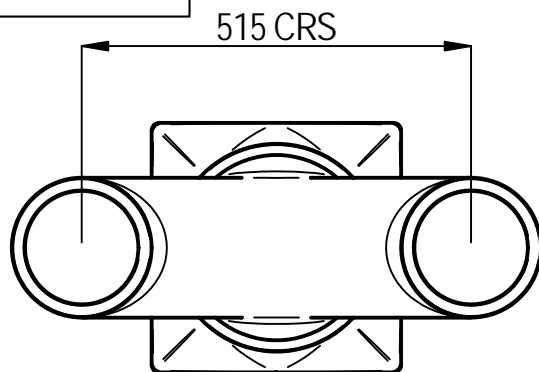


MARKINGS APPLIED AT 'X'

WTK DATE (DDMMYY)
 WTK EN13502 **CE**
 330/SQ
 280/SQ
 920/HT



ISOMETRIC VIEW
1:20

OPEN-TOPPED FLUE TERMINAL TO
BS EN 13502 - TYPE 0

TO SPECIFY COLOUR, ADD SUFFIX TO CODE R
= RED, B = BUFF, X = BLACK, G = GLAZED



THIS DRAWING IS THE PROPERTY OF WT KNOWLES & SONS LTD
AND MUST NOT BE USED IN ANY WAY PREJUDICIAL TO THEIR INTERESTS

± 10% TOLERANCE TO BE APPLIED ON ALL DIMENSIONS

WEIGHT = 46.75 Kg	DRAWN: GB 07-02-08	SCALE	PROJECTION
DO NOT SCALE	ISSUE: 3 20-08-18	1:10	

TITLE :-
SQUARE BASE "H" POT

DRAWING No. :-	KHP1	A4
----------------	------	----