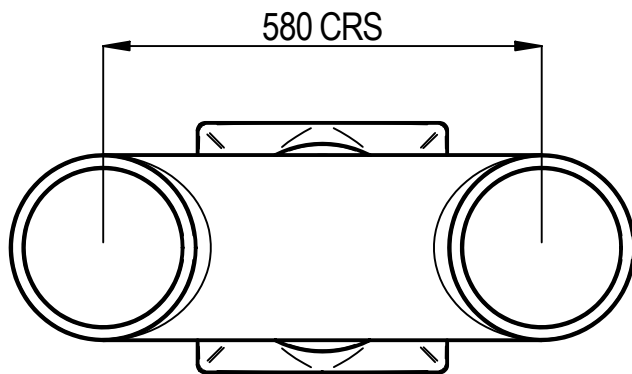


MARKINGS APPLIED AT 'X'

WTK DATE (DDMMYY)
 WTK EN13502 **CE**
 330/SQ
 280/SQ
 920/HT



ISOMETRIC VIEW
1:20

OPEN-TOPPED FLUE TERMINAL TO
BS EN 13502 - TYPE 0

TO SPECIFY COLOUR, ADD SUFFIX TO CODE
R = RED, B = BUFF, X = BLACK, G = GLAZED



THIS DRAWING IS THE PROPERTY OF WT KNOWLES & SONS LTD
AND MUST NOT BE USED IN ANY WAY PREJUDICIAL TO THEIR INTERESTS

± 10% TOLERANCE TO BE APPLIED ON ALL DIMENSIONS

| | | | |
|-------------------|--------------------|-------|------------|
| WEIGHT = 51.25 Kg | DRAWN: GB 07-02-08 | SCALE | PROJECTION |
| DO NOT SCALE | ISSUE: 3 20-08-18 | 1:10 | |

| | |
|---------------------------------|----|
| TITLE :- SQUARE BASE "H" POT | |
| DRAWING No. :- KHP1L | A4 |