

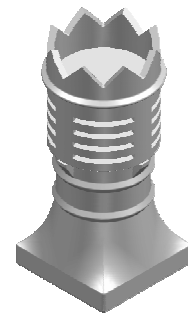
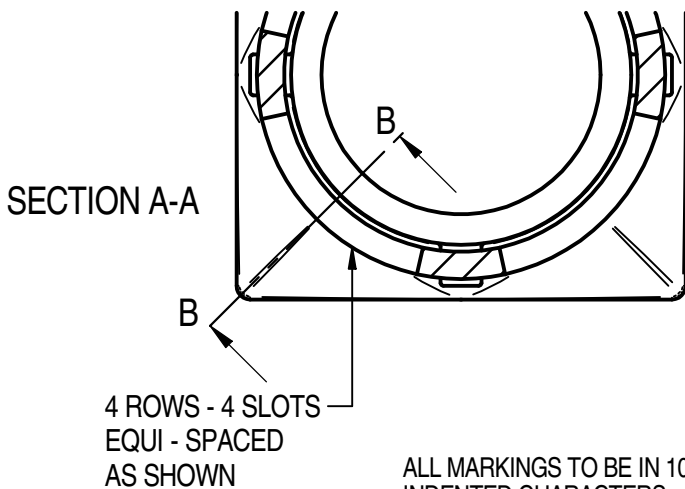
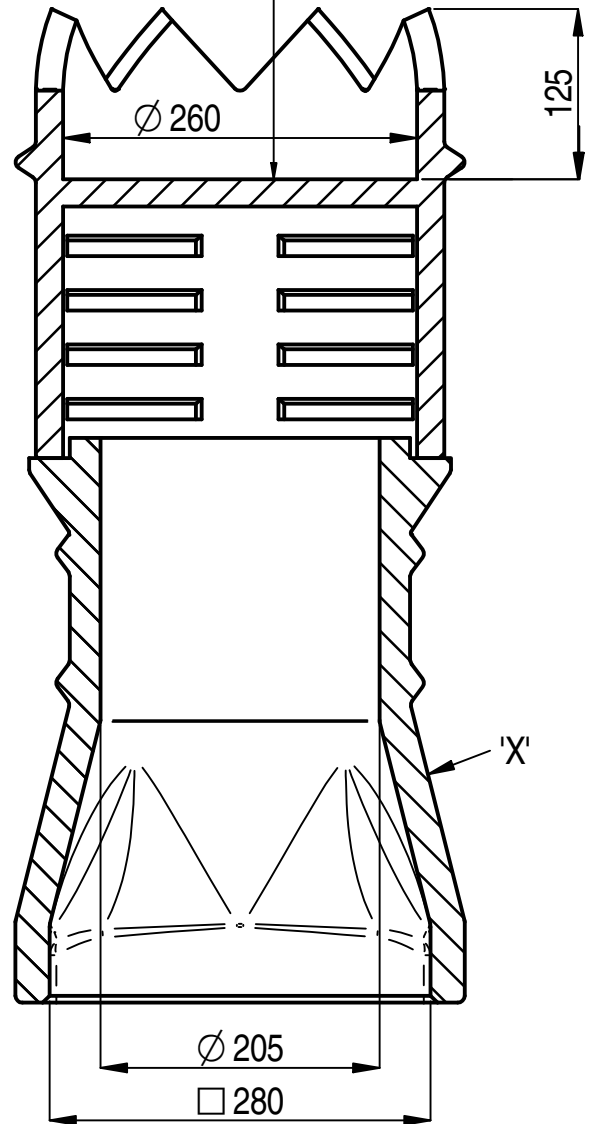
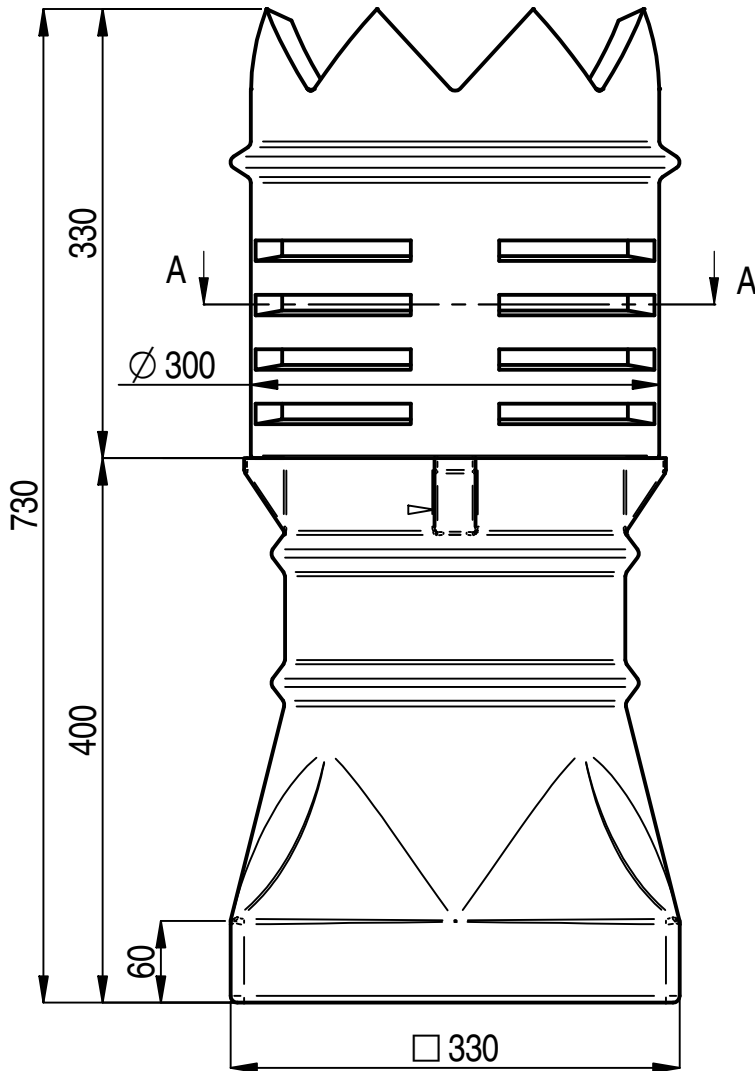
GAS FLUE TERMINAL TO BS EN13502-TYPE 2

MARKINGS TO APPEAR ON FACE 'X'
AS FOLLOWS:

330
280
730/HT
WTK DATE (DDMMYYYY)

MARKINGS TO APPEAR ON
THIS FACE AS FOLLOWS:

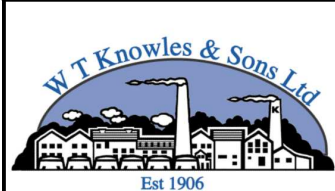
WTK EN13502 CE
TYPE 2



ISOMETRIC VIEW
1:20

ALL MARKINGS TO BE IN 10 HIGH
INDENTED CHARACTERS

TO SPECIFY COLOUR, ADD SUFFIX TO CODE
R = RED, B = BUFF, X =BLACK, G = GLAZED



THIS DRAWING IS THE PROPERTY OF WT KNOWLES & SONS LTD
AND MUST NOT BE USED IN ANY WAY PREJUDICIAL TO THEIR INTERESTS

± 10% TOLERANCE TO BE APPLIED ON ALL DIMENSIONS

WEIGHT = 33.95 Kg

DRAWN: GB 29-10-07

SCALE

PROJECTION

DO NOT SCALE

ISSUE: 7 05-07-18

1:5



TITLE :-
2 PIECE BISHOP GAS TERMINAL

DRAWING No. :-

KNO3PB

A4