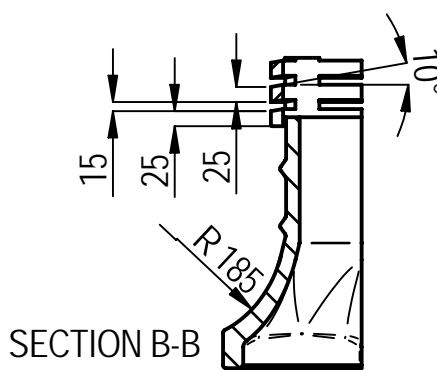
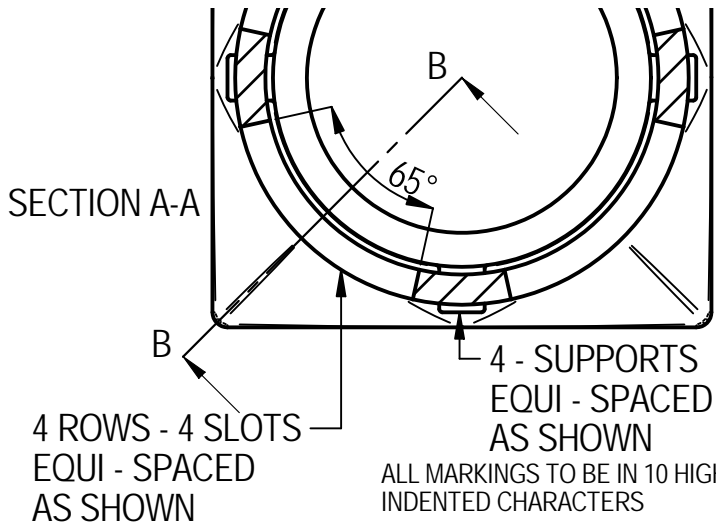
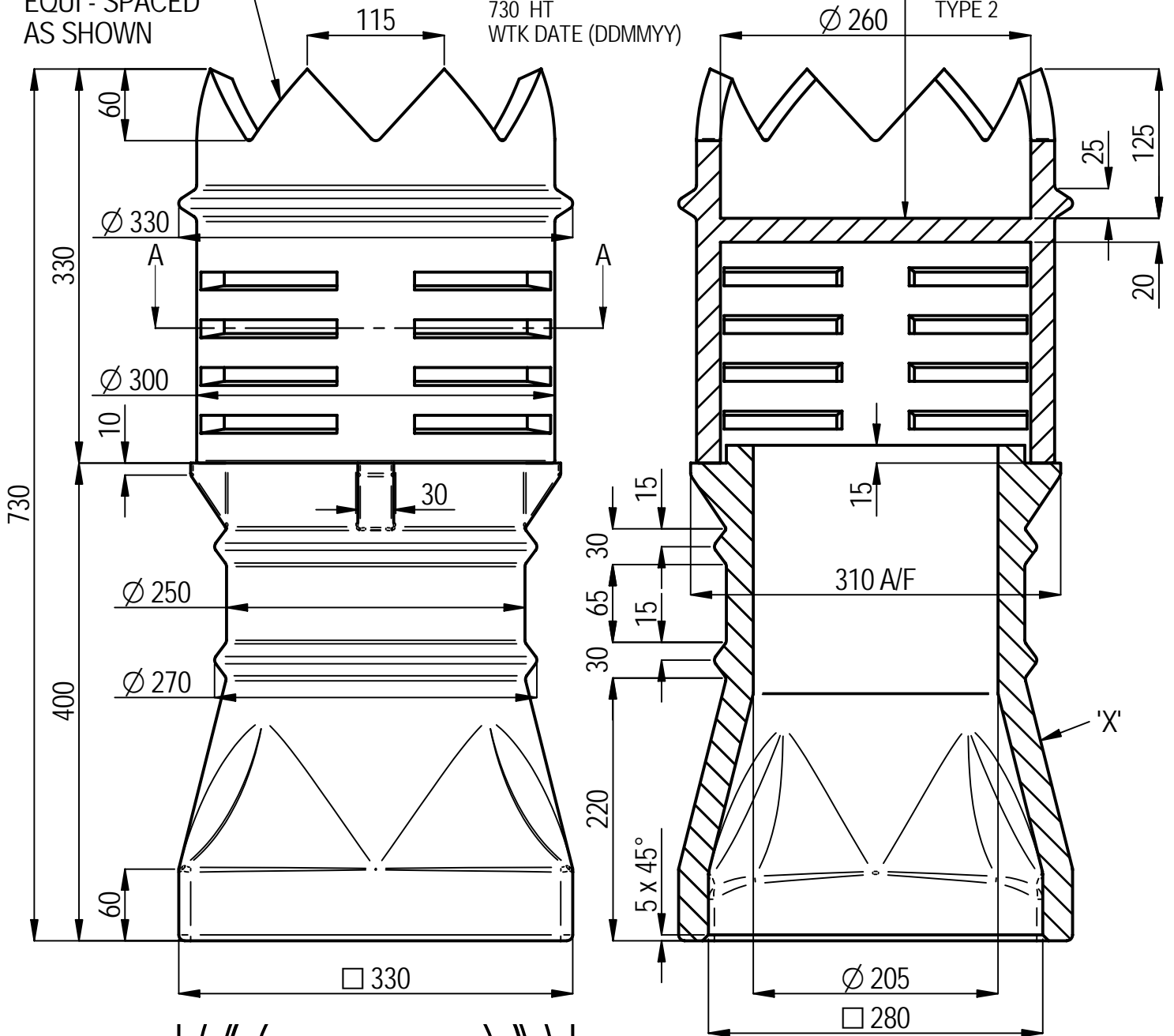


8- "V" SLOTS
EQUI - SPACED
AS SHOWN

MARKINGS TO APPEAR ON FACE 'X'
AS FOLLOWS: 330
280
730 HT
WTK DATE (DDMMYY)

MARKINGS TO APPEAR ON
THIS FACE AS FOLLOWS:
EN13502
TYPE 2



ISOMETRIC VIEW
1:20

TO SPECIFY COLOUR, ADD SUFFIX TO CODE
R = RED, B = BUFF, X BLACK, G = GLAZED



THIS DRAWING IS THE PROPERTY OF WT KNOWLES & SONS LTD
AND MUST NOT BE USED IN ANY WAY PREJUDICIAL TO THEIR INTERESTS

TITLE :-
2 PIECE BISHOP GAS TERMINAL

± 10% TOLERANCE TO BE APPLIED ON ALL DIMENSIONS

WEIGHT = 33.95 Kg	DRAWN: GB 29-10-07	SCALE	PROJECTION
DO NOT SCALE	ISSUE: 4 09-09-08	1:5	

DRAWING No. :- KNO3PB A4