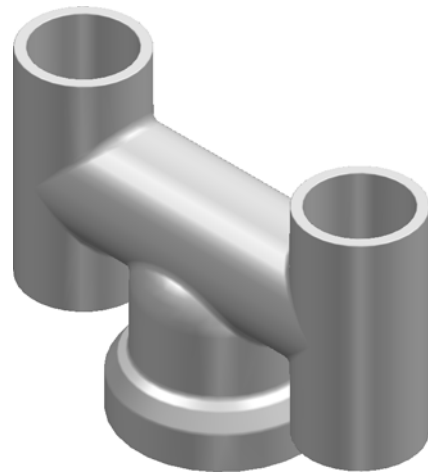
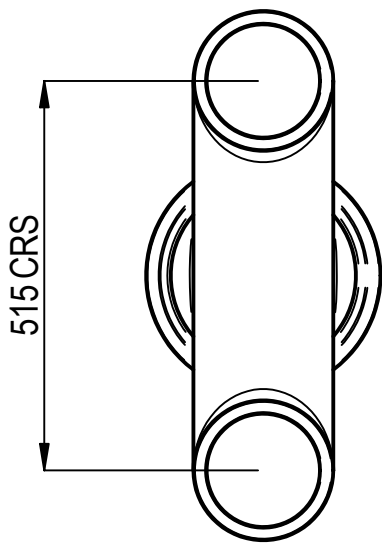


MARKINGS APPLIED AT 'X'

WTK DATE (DDMMYY)
 WTK EN13502 **CE**
 310/OD
 280/ID
 450/HT



ISOMETRIC VIEW

OPEN-TOPPED FLUE TERMINAL TO
 BS EN 13502 - TYPE 0

TO SPECIFY COLOUR, ADD SUFFIX TO CODE
 R = RED, B = BUFF, X = BLACK, G = GLAZED



THIS DRAWING IS THE PROPERTY OF WT KNOWLES & SONS LTD
 AND MUST NOT BE USED IN ANY WAY PREJUDICIAL TO THEIR INTERESTS

± 10% TOLERANCE TO BE APPLIED ON ALL DIMENSIONS

WEIGHT =	DRAWN: GB 05-05-10	SCALE	PROJECTION
DO NOT SCALE	ISSUE: 3 20-08-18	1:10	

TITLE :- 'H' POT PUSH ON TOP

DRAWING No. :- KPOH150 A4