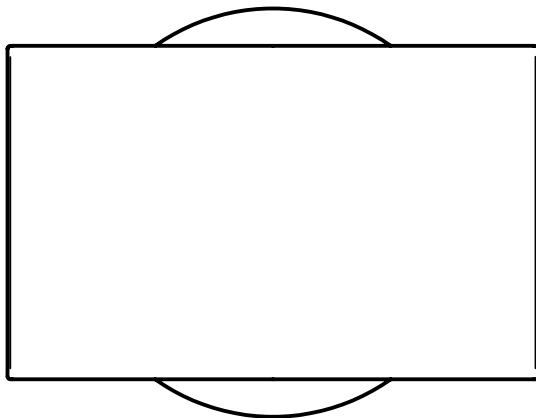
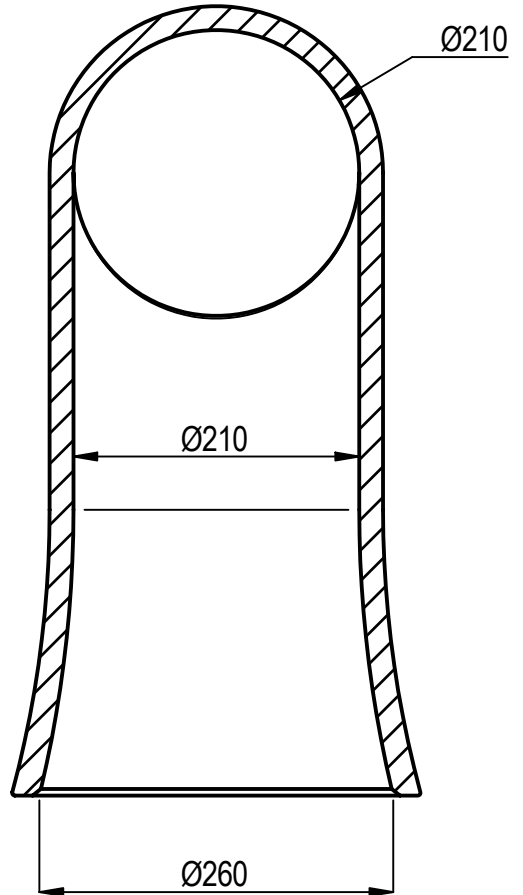
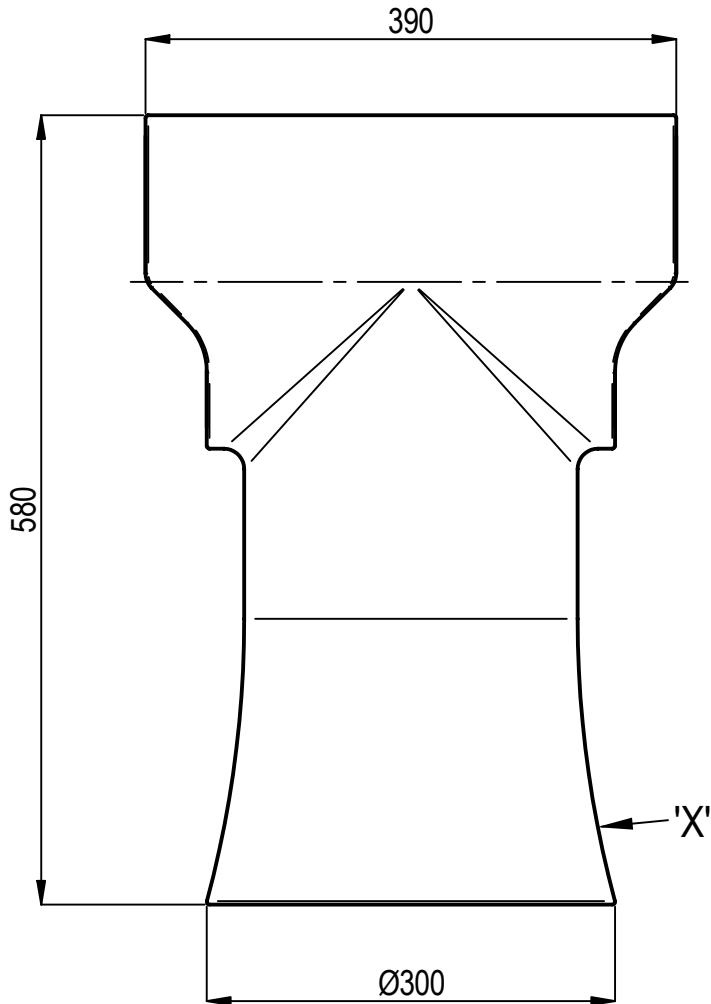


RESTRICTED FLUE TERMINAL TO BS EN13502 - TYPE 1



MARKINGS APPLIED AT 'X'

WTK EN13502 **CE**
 300 OD
 260 ID
 580 HT
 WTK DATE (DDMMYY)

ISOMETRIC VIEW
 1:10

TO SPECIFY COLOUR, ADD SUFFIX TO CODE
 R = RED, B = BUFF, X = BLACK, G = GLAZED



THIS DRAWING IS THE PROPERTY OF WT KNOWLES & SONS LTD AND MUST NOT BE USED IN ANY WAY PREJUDICIAL TO THEIR INTERESTS				TITLE :- DECORATIVE FUEL EFFECT POT	
± 10% TOLERANCE TO BE APPLIED ON ALL DIMENSIONS					
WEIGHT = 19.55 Kg	DRAWN: GB	22-10-07	SCALE	PROJECTION	
DO NOT SCALE	ISSUE: 5	02-07-18	1:5		
				DRAWING No. :- KYK10	
				A4	