

MARKINGS TO APPEAR ON THIS FACE AS FOLLOWS:

WTK EN13502

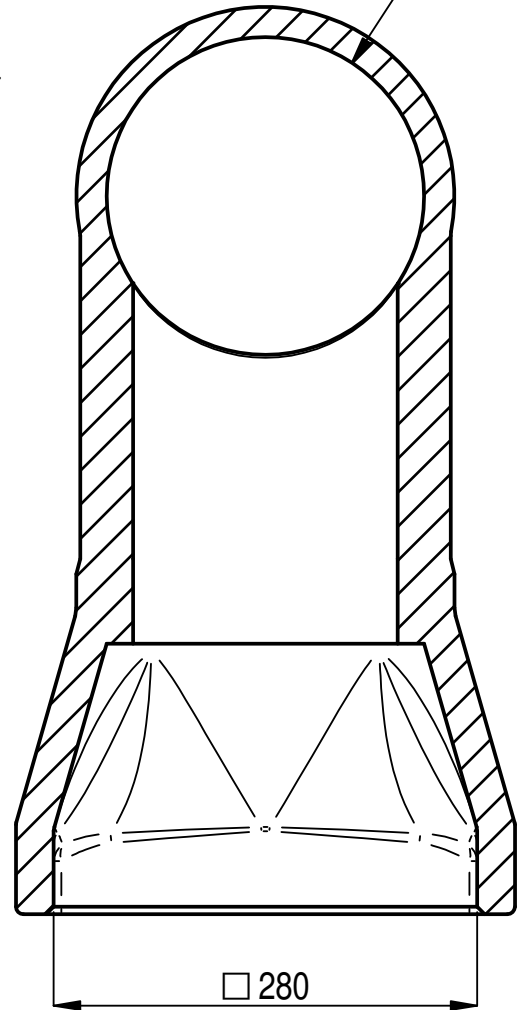
CE

330 SQ

280 SQ

600/HT

Ø 210

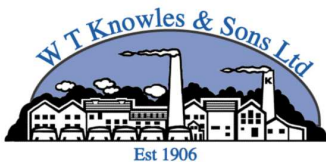


RESTRICTED FLUE TERMINAL TO BS EN13502-TYPE 1



ISOMETRIC VIEW
1:10

TO SPECIFY COLOUR, ADD SUFFIX TO CODE
R = RED, B = BUFF, X = BLACK, G = GLAZED



THIS DRAWING IS THE PROPERTY OF WT KNOWLES & SONS LTD
AND MUST NOT BE USED IN ANY WAY PREJUDICIAL TO THEIR INTERESTS

± 10% TOLERANCE TO BE APPLIED ON ALL DIMENSIONS

WEIGHT = 24.90 kg

DRAWN: GB 28-11-19

SCALE

PROJECTION

DO NOT SCALE

ISSUE: 1 12-12-19

1:5



TITLE :-
DFE SQUARE BASE POT

DRAWING No. :-

KYK10SQ

A4