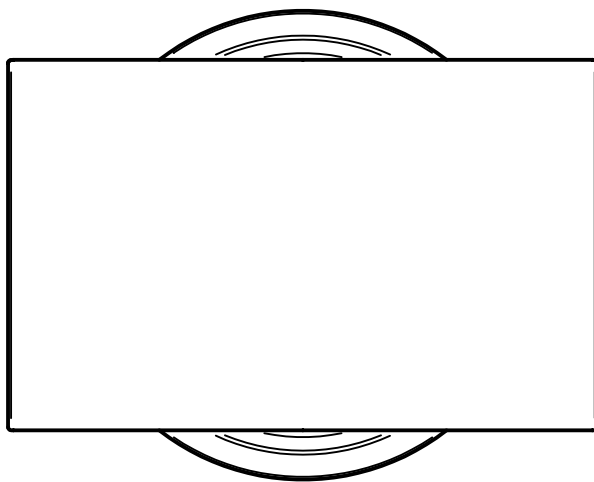
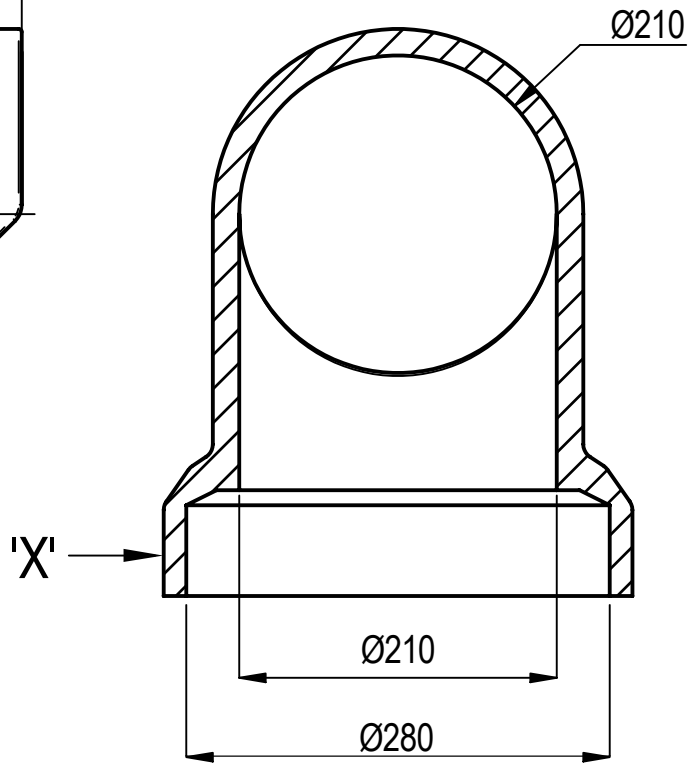
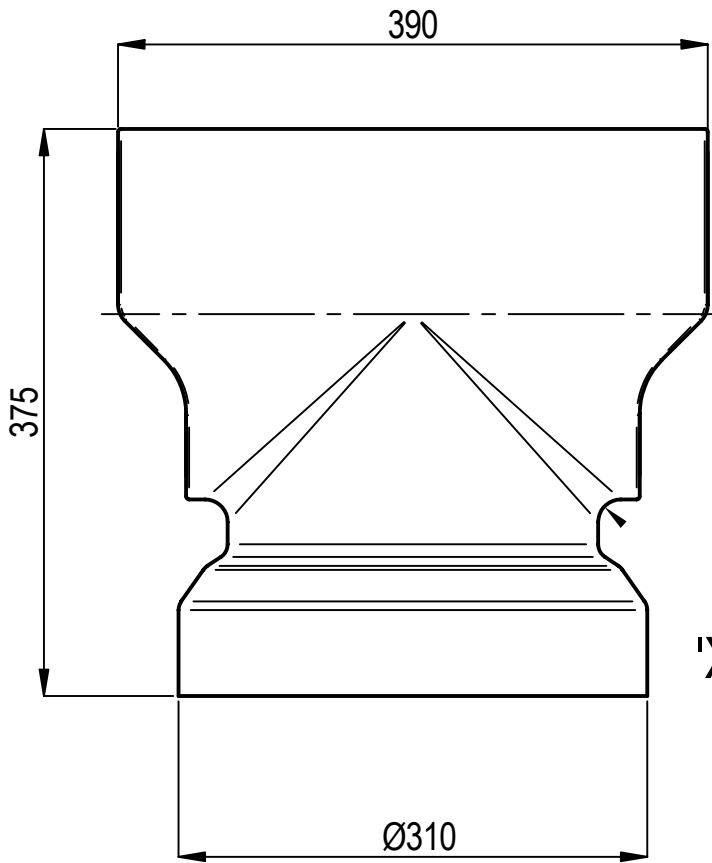



RESTRICTED FLUE TERMINAL TO BS EN13502 - TYPE 1



ISOMETRIC VIEW
1:10

MARKINGS APPLIED AT 'X'


WTK EN13502 
 310 OD
 280 ID
 375 HT
 WTK DATE (DDMMYY)

TO SPECIFY COLOUR, ADD SUFFIX TO CODE
 R = RED, B = BUFF, X = BLACK, G = GLAZED



THIS DRAWING IS THE PROPERTY OF WT KNOWLES & SONS LTD
 AND MUST NOT BE USED IN ANY WAY PREJUDICIAL TO THEIR INTERESTS

± 10% TOLERANCE TO BE APPLIED ON ALL DIMENSIONS

WEIGHT =	DRAWN: GB 05-05-10	SCALE	PROJECTION
DO NOT SCALE	ISSUE: 3 02-07-18	1:5	

TITLE :-
 DECORATIVE FUEL EFFECT
 PUSH ON TOP

DRAWING No. :-	KYKP	A4
----------------	------	----