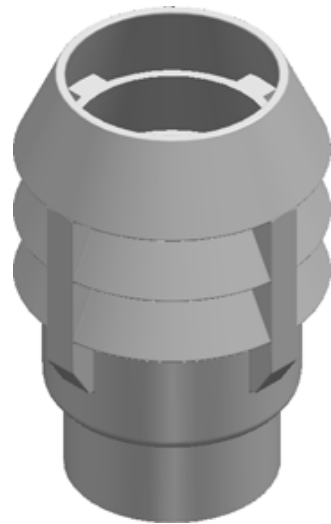


MARKINGS APPLIED AT 'X'

WTK EN13502	CE
205/OD	
175/ID	
450/HT	
WTK DATE (DDMMYY)	



ISOMETRIC VIEW
1:10

OPEN-TOPPED FLUE TERMINAL TO
BS EN 13502 - TYPE 0

TO SPECIFY COLOUR, ADD SUFFIX TO CODE
R = RED, B = BUFF, X = BLACK, G = GLAZED



THIS DRAWING IS THE PROPERTY OF WT KNOWLES & SONS LTD
AND MUST NOT BE USED IN ANY WAY PREJUDICIAL TO THEIR INTERESTS

± 10% TOLERANCE TO BE APPLIED ON ALL DIMENSIONS

WEIGHT = 19.90 kg	DRAWN: GB 03-12-07	SCALE	PROJECTION
DO NOT SCALE	ISSUE: 4 11-09-18	1:5	

TITLE :-
LEEDS 3 BOWL PUSH IN TOP

DRAWING No. :- KYP23 A4