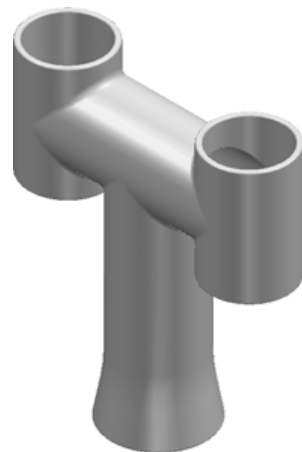


MARKINGS APPLIED AT 'X'

WTK DATE (DDMMYY)	
WTK EN13502	CE
300/OD	
260/ID	
900/HT	



ISOMETRIC VIEW
1:20

OPEN-TOPPED FLUE TERMINAL TO
BS EN 13502 - TYPE 0

TO SPECIFY COLOUR, ADD SUFFIX TO CODE
R = RED, B = BUFF, X = BLACK, G = GLAZED



THIS DRAWING IS THE PROPERTY OF WT KNOWLES & SONS LTD
AND MUST NOT BE USED IN ANY WAY PREJUDICIAL TO THEIR INTERESTS

± 10% TOLERANCE TO BE APPLIED ON ALL DIMENSIONS

WEIGHT = 41.70 kg	DRAWN: GB	30-10-07
DO NOT SCALE	ISSUE: 5	20-08-18

SCALE
1:5



TITLE :-

ROUND BASE "H" POT LARGE

DRAWING No. :-

KYP56L

A4