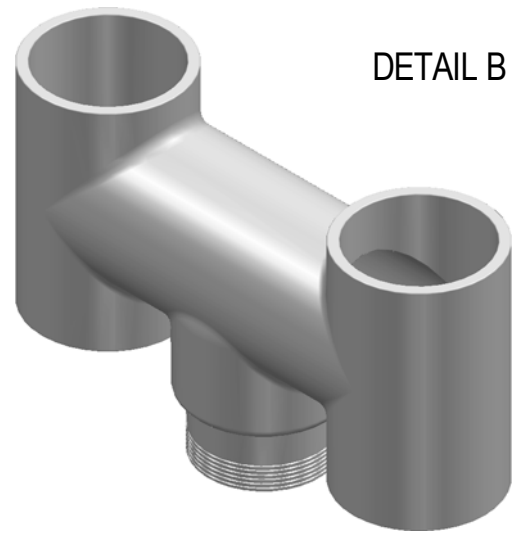


MARKINGS APPLIED AT 'X'

WTK DATE (DDMMYY)
 WTK EN13502 **CE**
 205/OD
 175/ID
 480/HT



ISOMETRIC VIEW

OPEN-TOPPED FLUE TERMINAL TO
 BS EN 13502 - TYPE 0

TO SPECIFY COLOUR, ADD SUFFIX TO CODE
 R = RED, B = BUFF, X = BLACK, G = GLAZED



THIS DRAWING IS THE PROPERTY OF WT KNOWLES & SONS LTD AND MUST NOT BE USED IN ANY WAY PREJUDICIAL TO THEIR INTERESTS			
± 10% TOLERANCE TO BE APPLIED ON ALL DIMENSIONS			
WEIGHT = 29.50 Kg	DRAWN: GB	12-10-07	SCALE
DO NOT SCALE	ISSUE: 4	20-08-18	PROJECTION
		1:5	

TITLE :-	PUSH IN "H" POT	
DRAWING No. :-	KYP60	A4