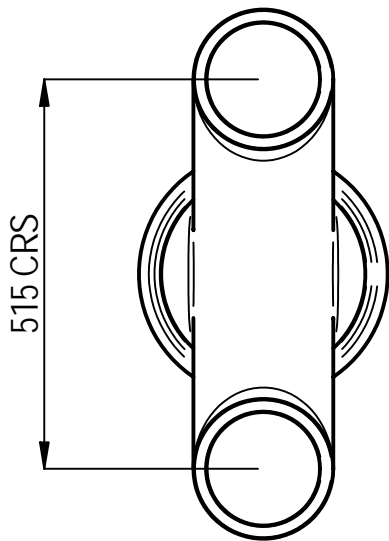
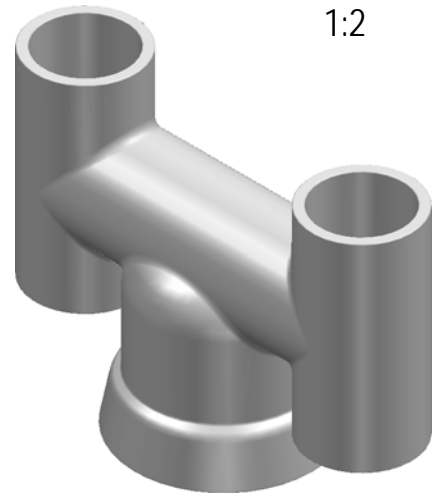


MARKINGS APPLIED AT 'X'

WTK DATE (DDMMYY)  
 WTK EN13502 CE  
 330/OD  
 295/ID  
 480/HT



DETAIL B  
 1:2



ISOMETRIC VIEW

OPEN-TOPPED FLUE TERMINAL TO  
 BS EN 13502 - TYPE 0

TO SPECIFY COLOUR, ADD SUFFIX TO CODE R  
 = RED, B = BUFF, X = BLACK, G = GLAZED



THIS DRAWING IS THE PROPERTY OF WT KNOWLES & SONS LTD AND MUST NOT BE USED IN ANY WAY PREJUDICIAL TO THEIR INTERESTS			
± 10% TOLERANCE TO BE APPLIED ON ALL DIMENSIONS			
WEIGHT = 31.95 Kg	DRAWN: GB	12-10-07	SCALE
DO NOT SCALE	ISSUE: 4	20-08-18	PROJECTION
		1:5	

TITLE :- PUSH ON "H" POT	
DRAWING No. :- KYP61	A4