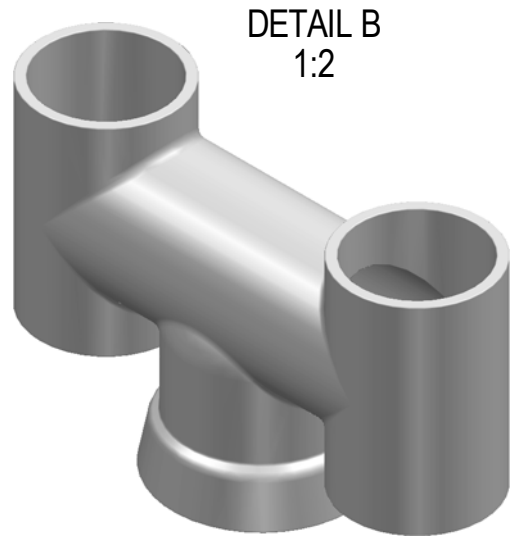
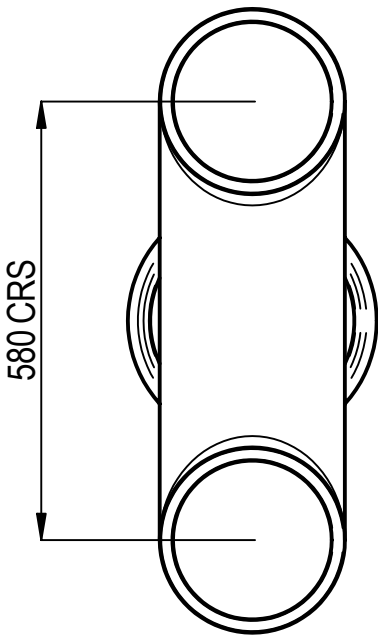


MARKINGS APPLIED AT 'X'

WTK DATE (DDMMYY)
 WTK EN13502 **CE**
 330/OD
 295/ID
 480/HT



ISOMETRIC VIEW

OPEN-TOPPED FLUE TERMINAL TO
 BS EN 13502 - TYPE 0

TO SPECIFY COLOUR, ADD SUFFIX TO CODE
 R = RED, B = BUFF, X = BLACK, G = GLAZED



THIS DRAWING IS THE PROPERTY OF WT KNOWLES & SONS LTD
 AND MUST NOT BE USED IN ANY WAY PREJUDICIAL TO THEIR INTERESTS

± 10% TOLERANCE TO BE APPLIED ON ALL DIMENSIONS

WEIGHT = 32.50 Kg DRAWN: GB 12-10-07
 DO NOT SCALE ISSUE: 4 20-08-18

SCALE
 1:5



TITLE :-

PUSH ON "H" POT

DRAWING No. :-

KYP62

A4