
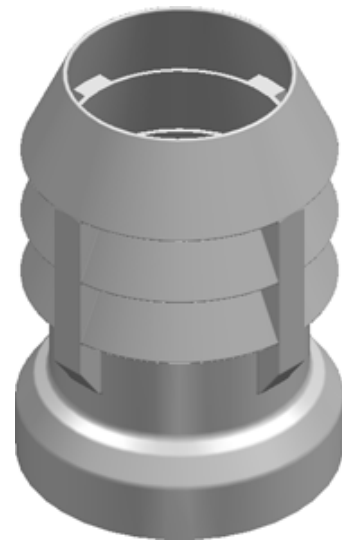


MARKINGS APPLIED AT 'X'

WTK EN13502   
 310 OD  
 280 ID  
 430 HT  
 WTK DATE (DDMMYY)



ISOMETRIC VIEW  
1:10

OPEN-TOPPED FLUE TERMINAL  
TO BS EN 13502 - TYPE 0

TO SPECIFY COLOUR, ADD SUFFIX TO CODE  
R = RED, B = BUFF, X = BLACK, G = GLAZED

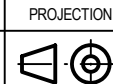


THIS DRAWING IS THE PROPERTY OF WT KNOWLES & SONS LTD  
AND MUST NOT BE USED IN ANY WAY PREJUDICIAL TO THEIR INTERESTS

± 10% TOLERANCE TO BE APPLIED ON ALL DIMENSIONS

WEIGHT = 15.70 kg	DRAWN: GB	05-05-10
DO NOT SCALE	ISSUE: 4	12-09-18

SCALE  
1:5



TITLE :-  
LEEDS 3 BOWL  
PUSH ON TOP

DRAWING No. :-	KYPP22	A4
----------------	--------	----