



Established 1906

WT KNOWLES & SONS LIMITED

GAS METER BOX MULTIBOX BROWN

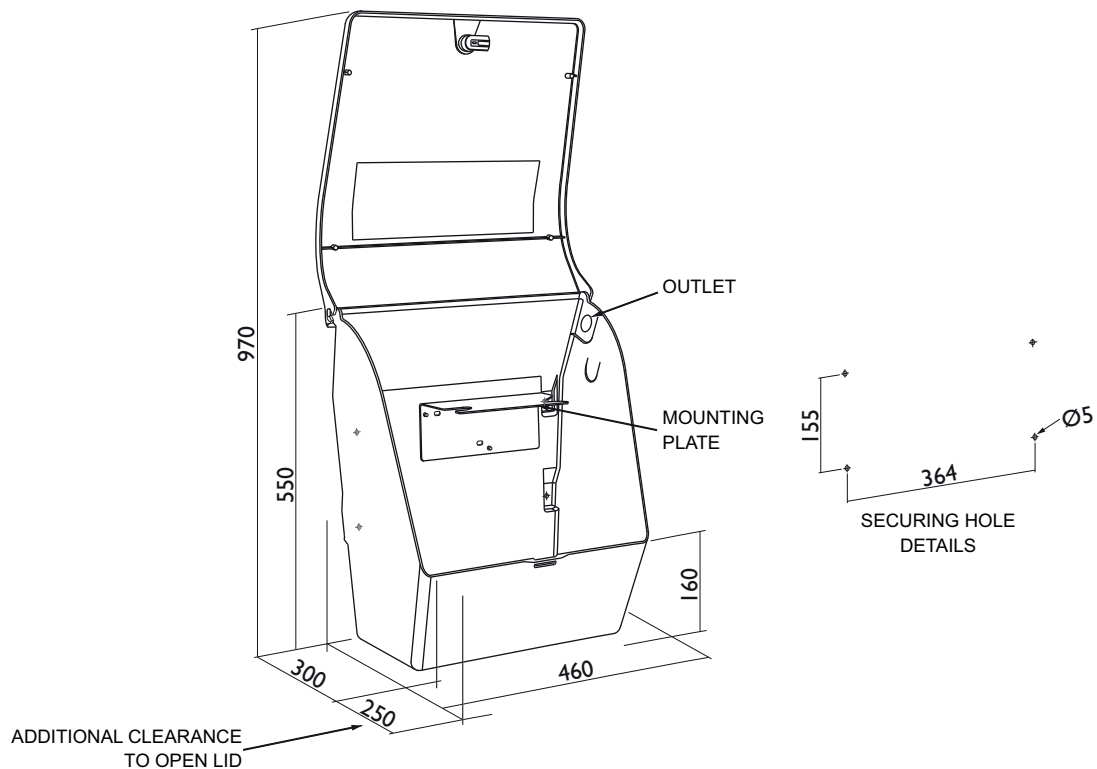
Model KG60034

Gas Meter Box Multibox Brown

The Model KG60034 from WT Knowles is a larger box and may be surface mounted, floor standing or partially buried in the ground and can house all domestic gas meters, most pre-payment meters and some MP installations and incorporates a meter bracket.



Dimensions



WT Knowles and Sons Limited
Ash Grove Pipeworks
Elland
West Yorkshire
HX5 9JA

Tel: 01422 372833
Fax: 01422 370900
Email: sales@wtknowles.co.uk
Website: www.wtknowles.co.uk

© WT Knowles and Sons Ltd 2017



Established 1906

WT KNOWLES & SONS LIMITED

GAS METER BOX MULTIBOX BROWN

Model KG60034

Specification

- Manufactured in brown colour glass reinforced plastic (GRP)
- Complies with BS 8499:2009 – *Specification for domestic gas meter boxes and meter bracket*
- Fire retardent to – BS 476-7:1997 Class 2 – *Fire tests on building materials and structures. Method of test to determine the classification of the surface spread of flame of products.*
- Overall size: 460 wide x 550 high x 330 deep
970 total height with lid open
250 front clearance to allow lid to open

Features

- Weather and sunlight resistant
- Degradation resistant
- Suitable for:
 - All domestic gas meters
 - Most pre-payment meters
 - Some MP installations
- Incorporates a meter bracket
- Complete with:
 - Meter box key
 - Installation instructions affixed to the interior of the meter box

Replacements - (Spares)

- Lid – Code: KG60035
- Meter box key (yellow) – Code: K203001
- Latch kit – Code: KT0008

Installation

Please follow the instructions provided in the gas meter box.

A re-formatted instruction sheet is included as pages 3 & 4 of this data sheet which is available to download from our website.

All work must be carried out in accordance with: The Gas Safety (Installation and Use) Regulations.

After the installation has been completed, pipework and joints must be tested in accordance with:

BS 6891:2015 - *Specification for the installation and maintenance of low pressure gas installation pipework of up to 35 mm (R1¼) on premises.*

Electrical Cross Bonding

Main equipotential bonding shall be made in accordance with:

BS 7671:2008+A3:2015+Amendment No. 2: 2013 - *Requirements for electrical installations. IET Wiring Regulations.*

WT Knowles and Sons Limited
Ash Grove Pipeworks
Elland
West Yorkshire
HX5 9JA

Tel: 01422 372833
Fax: 01422 370900
Email: sales@wtknowles.co.uk
Website: www.wtknowles.co.uk

© WT Knowles and Sons Ltd 2017



Established 1906

WT KNOWLES & SONS LIMITED

GAS METER BOX MULTIBOX BROWN

Model KG60034

NOTE: This information is contained on a yellow label on the inside of the lid.

It is a legal requirement that only competent people shall carry out any work in relation to gas fittings. Employers have a responsibility to ensure that all employees undertaking work on any gas fitting are competent.

Installing the Box

Ensure that the meter box is not damaged.

The box should be positioned so as not to cause obstruction or be exposed to damage from vehicles, etc. It should be located as close as practicable to the point where the dwelling pipework is required to enter the dwelling.

Excavate trench for meter box against exterior property wall in the position previously agreed. If in doubt ask site agent.

If fitted below ground level, position box to line at ground level. If above ground level position to ensure DPC is not compromised by mounting pads.

Using the box as a template, mark 4 fitting holes on the wall ensuring box is level. Fix to wall using four screws, washers and raw plugs.

Back fill the trench if fitted below ground level.

Fit the lid by aligning the hole on the right hand side of the lid to the boss feature on the right hand side of the box and then slide the left hand side of the lid onto the left hand side slot feature of the box and rotate down to close the lid.

Customer

When you require a meter to be installed, please telephone your gas supplier.

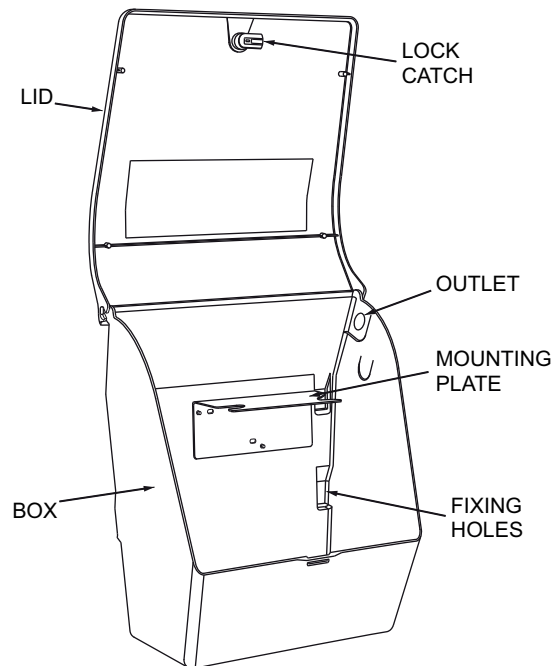
PLEASE TRY TO GIVE AT LEAST 7 DAYS NOTICE.

Installation Pipework

All work must be carried out in accordance with the Gas Safety (Installation and Use) Regulations.

Care must be taken when using a blow lamp close to the box. The installation pipework shall exit on the right hand side of the meter box.

The installation pipe should enter the property as close as practicable to the outlet of the meter box, keeping to a minimum the pipework external to the dwelling.



The pipe entering the property must pass through the wall using a sleeve (sealed to the wall and pipe) in accordance with BS 6891. The completed installation pipework must be tested for gas tightness in accordance with BS 6891.

Pipework external to the box and building must, wherever necessary, be suitably protected against corrosion.

Where the meter box is installed remote from the dwelling it serves, an emergency control valve shall be installed at a point where the installation pipework enters the dwelling in accordance with Gas Safety (Installation and Use) Regulations.

WT Knowles and Sons Limited
Ash Grove Pipeworks
Elland
West Yorkshire
HX5 9JA

Tel: 01422 372833
Fax: 01422 370900
Email: sales@wtknowles.co.uk
Website: www.wtknowles.co.uk

© WT Knowles and Sons Ltd 2017



Established 1906

WT KNOWLES & SONS LIMITED

GAS METER BOX MULTIBOX BROWN

Model KG60034

Installation Pipework Continued

The complete installation shall be tested for gas tightness in accordance with IGE/UP/IB or BS 5482-1:2005.

UNLESS INSTRUCTIONS ARE COMPLIED WITH, THE GAS METER MAY NOT BE INSTALLED.

GAS MUST NOT BE MADE AVAILABLE TO APPLIANCES UNLESS THEY HAVE BEEN FULLY COMMISSIONED.

Electrical Cross Bonding

Main equipotential bonding shall be made in accordance with BS 7671:2008 + A3:2015.

IF YOU THINK YOU SMELL GAS

Turn off the supply at the control valve. Open doors and windows.
Do NOT use naked flames.

Do NOT turn electrical switches on or off. Do not smoke.

IMMEDIATELY CONTACT THE GAS EMERGENCY SERVICE THE TELEPHONE NUMBER IS

0800 111 999

Do NOT reopen the supply until remedial action has been taken by a competent person to prevent gas escaping again.

14-06-2017

WT Knowles and Sons Limited
Ash Grove Pipeworks
Elland
West Yorkshire
HX5 9JA

Tel: 01422 372833
Fax: 01422 370900
Email: sales@wtknowles.co.uk
Website: www.wtknowles.co.uk

© WT Knowles and Sons Ltd 2017