



Established 1906

WT KNOWLES & SONS LIMITED

SEMI-BURIED GAS METER BOX

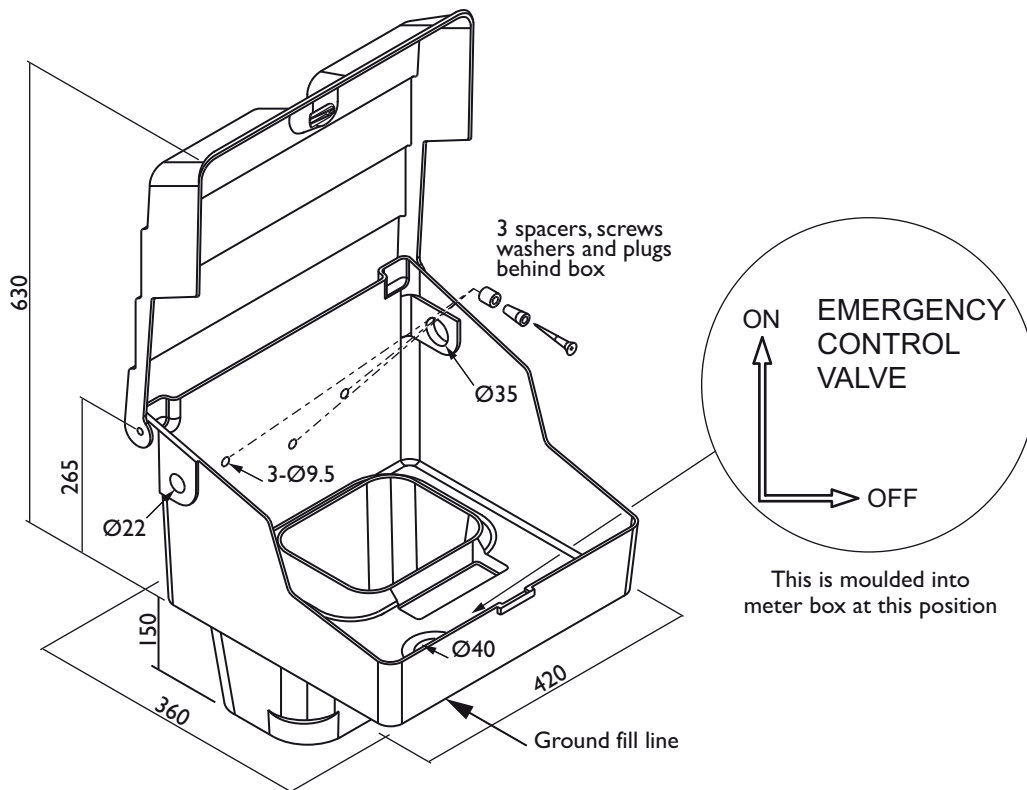
Model KG60039

Semi-Buried Gas Meter Box

The Model KG60039 from WT Knowles is designed to be partially buried in the ground and to house the U6 and G4 metal case gas meters when used with a water resistant seal. It is fully approved by Sensus Metering, Krom Schroeder, GTC, IPL and Core Utilities.



Dimensions



WT Knowles and Sons Limited
Ash Grove Pipeworks
Elland
West Yorkshire
HX5 9JA

Tel: 01422 372833
Fax: 01422 370900
Email: sales@wtknowles.co.uk
Website: www.wtknowles.co.uk

© WT Knowles and Sons Ltd 2017



Established 1906

WT KNOWLES & SONS LIMITED

SEMI-BURIED GAS METER BOX

Model KG60039

Specification

- Manufactured in brown colour glass reinforced plastic (GRP)
- Complies with BS 8499:2009 – *Specification for domestic gas meter boxes and meter bracket*
- Fire retardant to – BS 476-7:1997 Class 2 – *Fire tests on building materials and structures. Method of test to determine the classification of the surface spread of flame of products.*
- Overall size: 420 wide x 415 high x 360 deep
630 total height from ground fill line with lid open

Features

- Weather and sunlight resistant
- Degradation resistant
- Suitable for U6 and G4 metal cased gas meters
- Complete with:
 - Meter box key
 - Fixing components and hinge kit in plastic bag
 - Installation instructions affixed to the interior of the meter box

Replacements - (Spares)

- Lid – Code: KG60040
- Meter box key (yellow) – Code: K203001
- Latch kit – Code: KT0008
- Semi-Buried Fixing Kit - Code: KT0009

Installation

The gas service entry is below ground at the bottom left of the meter box where an integral entry boss is provided (when viewed from the front). The outlet position is at the top right hand side of the meter box. If a rear or left-hand exit is required a new hole must be drilled in the meter box casing with a diameter to suit the gas pipe.

Please follow the instructions provided in the gas meter box.

A re-formatted instruction sheet is included as pages 3 & 4 of this data sheet which is available to download from our website.

All work must be carried out in accordance with: The Gas Safety (Installation and Use) Regulations.

After the installation has been completed, pipework and joints must be tested in accordance with:

BS 6891:2015 - *Specification for the installation and maintenance of low pressure gas installation pipework of up to 35 mm (R1¼) on premises.*

Electrical Cross Bonding

Main equipotential bonding shall be made in accordance with:

BS 7671:2008+A3:2015+Amendment No. 2: 2013 - *Requirements for electrical installations. IET Wiring Regulations.*

WT Knowles and Sons Limited
Ash Grove Pipeworks
Elland
West Yorkshire
HX5 9JA

Tel: 01422 372833
Fax: 01422 370900
Email: sales@wtknowles.co.uk
Website: www.wtknowles.co.uk

© WT Knowles and Sons Ltd 2017



Established 1906

WT KNOWLES & SONS LIMITED

SEMI-BURIED GAS METER BOX

Model KG60039

NOTE: This information is contained on a yellow label on the inside of the lid.

It is a legal requirement that only competent people shall carry out any work in relation to gas fittings. Employers have a responsibility to ensure that all employees undertaking work on any gas fitting are competent.

Installing the Box

Ensure that the meter box is not damaged.

The box should be positioned so as not to cause an obstruction or be exposed to damage from vehicles, etc. It should be located as close as practicable to the point where the dwelling pipework is required to enter the dwelling.

Excavate trench for meter box against exterior property wall in the position previously agreed.

Position the box so that the indicated line is at ground level. Unless previously determined, ground level is assumed to be two bricks below the damp-proof course. If in doubt, ask the site agent. Where possible, the box should not bridge the damp-proof course.

Using the box as the template, mark the three fixing holes on the wall, ensuring that the box is level. Fit the three spacers as indicated. Secure the box to the wall using the three screws, washers and plugs provided with the box.

Back fill the trench.

Fit the lid using the fasteners provided and lock the box.

Customer

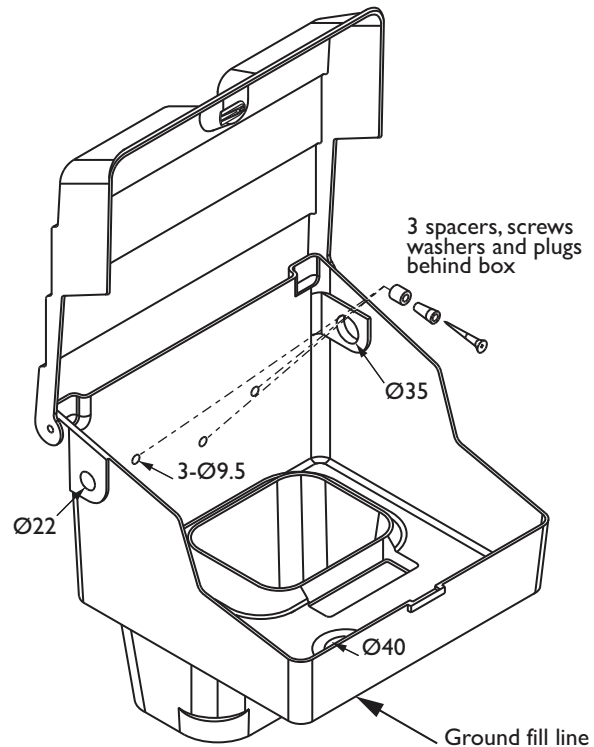
When you require a meter to be installed, please telephone your gas supplier.

PLEASE TRY TO GIVE AT LEAST 7 DAYS NOTICE.

Installation Pipework

All work must be carried out in accordance with the Gas Safety (Installation and Use) Regulations.

The installation pipe shall exit the box via the hole provided to the upper right hand side



The installation pipe should enter the property as close as practicable to the outlet of the meter box, keeping to a minimum the pipework external to the dwelling. If necessary, the installation pipework (up to 22mm outside diameter) may be run behind the box in the space provided below hinge level.

The pipe entering the property must pass through the wall using a sleeve (sealed to the wall and pipe) in accordance with BS 6891:2005 + A2:2008.

The completed installation pipework must be tested for gas tightness in accordance with BS 6981:2005 + A2:2008.

Pipework external to the box and property must, wherever necessary, be suitably protected against corrosion.

WT Knowles and Sons Limited
Ash Grove Pipeworks
Elland
West Yorkshire
HX5 9JA

Tel: 01422 372833
Fax: 01422 370900
Email: sales@wtknowles.co.uk
Website: www.wtknowles.co.uk

© WT Knowles and Sons Ltd 2017



Established 1906

WT KNOWLES & SONS LIMITED

SEMI-BURIED GAS METER BOX

Model KG60039

Installation Pipework Continued

Where the meter box is installed remote from the dwelling it serves, an emergency control valve shall be installed at a point where the installation pipework enters the dwelling in accordance with the Gas Safety (Installation and Use) Regulations.

The complete installation shall be tested for gas tightness in accordance with IGE/UP/IB or BS 5482-1:2005.

**UNLESS INSTRUCTIONS ARE COMPLIED WITH,
THE GAS METER MAY NOT BE INSTALLED.**

**GAS MUST NOT BE MADE AVAILABLE TO
APPLIANCES UNLESS THEY HAVE BEEN FULLY
COMMISSIONED.**

Electrical Cross Bonding

Main equipotential bonding shall be made in accordance with BS 7671:2008 + A3:2015.

IF YOU THINK YOU SMELL GAS

Turn off the supply at the control valve. Open doors and windows.
Do NOT use naked flames.

Do NOT turn electrical switches on or off. Do not smoke.

IMMEDIATELY CONTACT THE GAS EMERGENCY SERVICE THE
TELEPHONE NUMBER IS

0800 111 999

Do NOT reopen the supply until remedial action has been taken by a
competent person to prevent gas escaping again.

09-03-2017

W T Knowles and Sons Limited
Ash Grove Pipeworks
Elland
West Yorkshire
HX5 9JA

Tel: 01422 372833
Fax: 01422 370900
Email: sales@wtknowles.co.uk
Website: www.wtknowles.co.uk

© WT Knowles and Sons Ltd 2017