



Established 1906

WT KNOWLES & SONS LIMITED

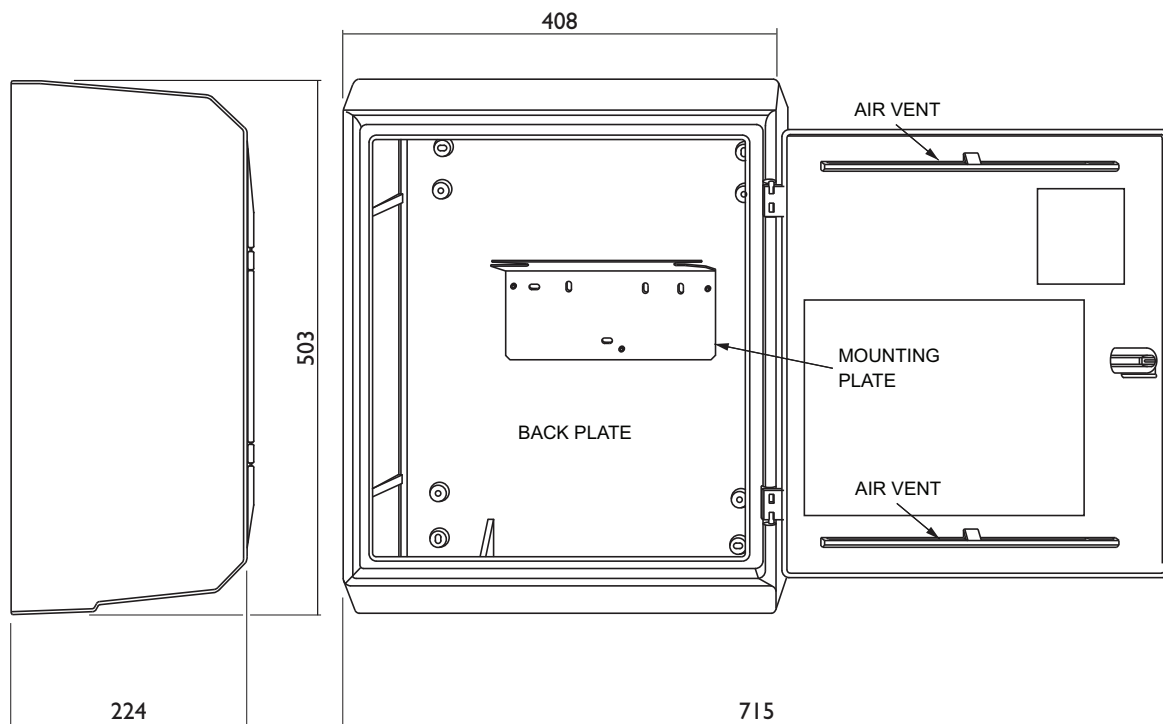
SURFACE MOUNTED GAS METER BOX MK2 Model KG70036

Surface Mounted Gas Meter Box

The Model KG70036 from WT Knowles is a white box and is intended to be wall mounted. It is suitable for all U6/G4 gas meters and is principally used in the pipe and meter replacement programme. It is also popular for use in conversions or where there is no cavity to build into.



Dimensions



WT Knowles and Sons Limited
Ash Grove Pipeworks
Elland
West Yorkshire
HX5 9JA

Tel: 01422 372833
Fax: 01422 370900
Email: sales@wtknowles.co.uk
Website: www.wtknowles.co.uk

© WT Knowles and Sons Ltd 2018



Established 1906

WT KNOWLES & SONS LIMITED

SURFACE MOUNTED GAS METER BOX MK2 Model KG70036

Specification

- Manufactured in white colour glass reinforced plastic (GRP)
- Complies with BS 8499:2009 – *Specification for domestic gas meter boxes and meter bracket*
- Fire retardant to – BS 476-7:1997 Class 2 – *Fire tests on building materials and structures. Method of test to determine the classification of the surface spread of flame of products*
- Overall size: 408 wide x 503 high x 224 deep
715 total width with door open
345 front clearance required to allow door to open

Features

- Weather and sunlight resistant
- Degradation resistant
- Suitable for all U6 and G4 metal cased gas meters
- Incorporates a fitted meter bracket
- Complete with:
 - Meter box key
 - Installation instructions affixed to the interior of the meter box

Replacements - (Spares)

- Door – Code: KG70037
- Meter box key (yellow) – Code: K203001
- Latch kit – Code: KT0008
- Pin hinges – Code: KT0004
- Spigot & screw – Code: KIS0037

Riser Tube and Bend

GRP riser tube and 90° bend available to order

- GRP riser tube – Code: K300021
- 90 deg gas bend - Code: K208091

Installation

Service entry is fixed on the bottom left-hand side with a built in mounting for a PE pipe transition fitting. Gas outlet position is through the cut-out at the bottom right-hand side or optionally via a rear knockout. Please follow the instructions provided in the gas meter box.

A re-formatted instruction sheet is included as pages 3 & 4 of this data sheet which is available to download from our website.

All work must be carried out in accordance with: *The Gas Safety (Installation and Use) Regulations*.

After the installation has been completed, pipework and joints must be tested in accordance with:

BS 6891:2015 - *Specification for the installation and maintenance of low pressure gas installation pipework of up to 35 mm (R1¼) on premises.*

BS 5482-1:2005 - *Code of practice for domestic butane- and propane-gas-burning installations. Installations at permanent dwellings, residential park homes and commercial premises, with installation pipework sizes not exceeding DN 25 for steel and DN 28 for corrugated stainless steel or copper*

The complete installation shall be tested for gas tightness in accordance with IGE/UP/1B

Electrical Cross Bonding

Main equipotential bonding shall be made in accordance with:

BS 7671:2008+A3:2015+Amendment No. 2: 2013 - *Requirements for electrical installations. IET Wiring Regulations.*

WT Knowles and Sons Limited
Ash Grove Pipeworks
Elland
West Yorkshire
HX5 9JA

Tel: 01422 372833
Fax: 01422 370900
Email: sales@wtknowles.co.uk
Website: www.wtknowles.co.uk

© WT Knowles and Sons Ltd 2018



Established 1906

WT KNOWLES & SONS LIMITED

SURFACE MOUNTED GAS METER BOX MK2 Model KG70036

NOTE: This information is contained on a yellow label on the inside of the door.

It is a legal requirement that only competent people shall carry out any work in relation to gas fittings. Employers have a responsibility to ensure that all employees undertaking work on any gas fitting are competent.

Installing box

Ensure that the meter box is not damaged.

The position shall be in an accessible location so that the box does not cause an obstruction or leave it exposed to damage from vehicles etc.

It should be located as close as practicable to the point where the dwelling pipework is required to enter the building.

Position the box so that it is level, with its base preferably between 500mm and 1500mm from the finished level.

Ensure that the box does not bridge the damp-proof course.

Carefully remove the backplate from the box cover by disengaging the lower plug followed by the two upper plugs.

Using the backplate as a template, mark the fixing holes on the wall. Drill and plug the wall then securely fit the backplate to the wall with appropriately sized screws.

Fit the box cover to the backplate by first engaging the two upper plugs and carefully easing the box cover into place, engaging the lower plug.

Customer

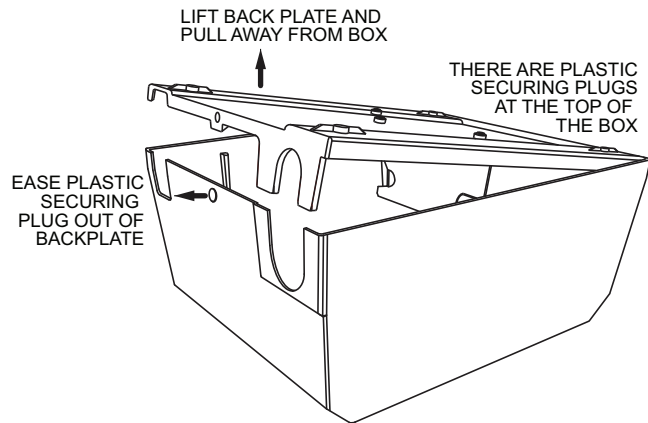
When you require a meter to be installed, please telephone your gas supplier.

PLEASE TRY TO GIVE AT LEAST 7 DAYS NOTICE.

Installation Pipework

All work shall be carried out in accordance with the Gas Safety (Installation and Use) Regulations.

The installation pipework shall leave the box via the cut-out at the bottom right hand side.



When installing the installation pipework through the box at the base, care shall be taken to allow sufficient space to install the meter.

Where the pipework enters the property, the pipe shall pass through the wall using a sleeve (sealed to the wall and pipe) in accordance with BS 6891 or BS 5482-1.

Where the meter is installed remote from the dwelling it serves, an emergency control valve shall be installed at a point where the installation pipework enters the dwelling, in accordance with the Gas Safety (Installation and Use) Regulations.

Where soldered joints are used, care shall be taken to avoid heat damage to the box.

Pipework external to the box and building shall, wherever necessary, be suitably protected against corrosion.

WT Knowles and Sons Limited
Ash Grove Pipeworks
Elland
West Yorkshire
HX5 9JA

Tel: 01422 372833
Fax: 01422 370900
Email: sales@wtknowles.co.uk
Website: www.wtknowles.co.uk

© WT Knowles and Sons Ltd 2018



Established 1906

WT KNOWLES & SONS LIMITED

SURFACE MOUNTED GAS METER BOX MK2 Model KG70036

Installation Pipework Continued

The complete installation shall be tested for gas tightness in accordance with IGE/UP/IB or BS 5482-1:2005---

**UNLESS INSTRUCTIONS ARE COMPLIED WITH,
THE GAS METER MAY NOT BE INSTALLED.**

**GAS MUST NOT BE MADE AVAILABLE TO
APPLIANCES UNLESS THEY HAVE BEEN FULLY
COMMISSIONED.**

Electrical Cross Bonding

Main equipotential bonding shall be made in accordance with BS 7671:2008 + A3:2015.

IF YOU THINK YOU SMELL GAS

Turn off the supply at the control valve. Open doors and windows.
Do NOT use naked flames.

Do NOT turn electrical switches on or off. Do not smoke.

IMMEDIATELY CONTACT THE GAS EMERGENCY SERVICE THE
TELEPHONE NUMBER IS

0800 111 999

Do NOT reopen the supply until remedial action has been taken by a
competent person to prevent gas escaping again.

11-04-2018

W T Knowles and Sons Limited
Ash Grove Pipeworks
Elland
West Yorkshire
HX5 9JA

Tel: 01422 372833
Fax: 01422 370900
Email: sales@wtknowles.co.uk
Website: www.wtknowles.co.uk

© WT Knowles and Sons Ltd 2018